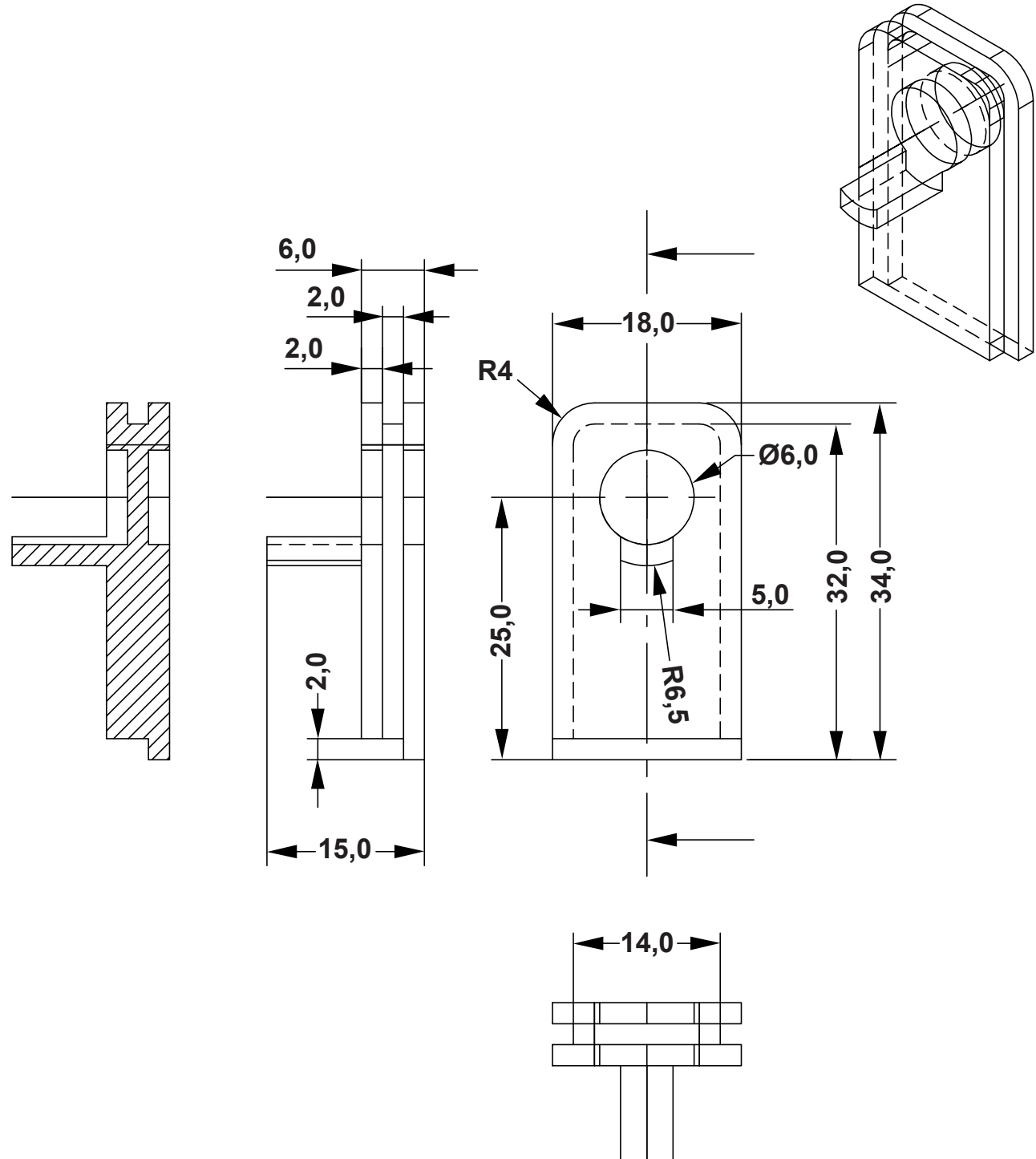



DIM.	TOL
5mm DOWN	±0.2
5~20mm	±0.3
20~40mm	±0.4
40~60mm	±0.5
60~100mm	±0.8
100mm UP	±1.0

REVISIONS			
REV	DESCRIPTION	DATE	BY



				TITLE EDGE GROMMETS WITH MEMBRANE	
				MATERIAL EPDM 60Shore A	DATE 27/07/2018
PART NUMBER 10941GS01				DRAWN R.F.	
				DRAWING NUMBER 18.07.27.10941.0.E	
SIZE A4				COLOR BLACK	
				CHECK	
SCALE NTS				UNLESS OTHERWISE SPECIFIED TOLERANCE SEE ABOVE	
				APPROVED	
UNIT mm.				REV B	