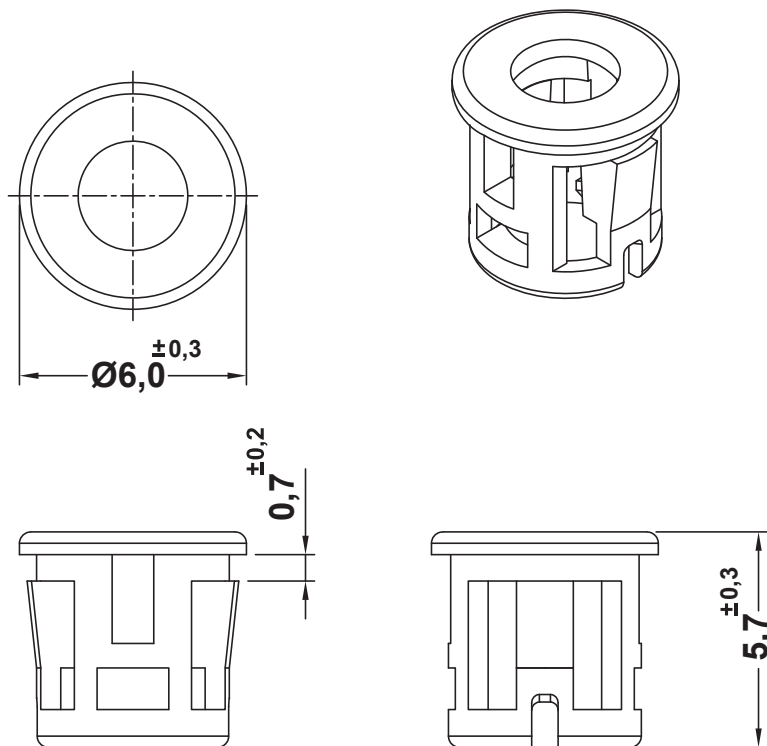



DIM.	TOL.
5mm DOWN	±0.2
5~20mm	±0.3
20~40mm	±0.4
40~60mm	±0.5
60~100mm	±0.8
100mm UP	±1.0

REVISIONS			
REV	DESCRIPTION	DATE	BY



MOUNTING HOLE Ø5,2<sup>+0,1</sup><sub>-0</sub>  
 CHASSIS THICKNESS 0,6 mm

NOTES: SUITABLE FOR Ø3 LED WITH VISOR TO 2PIN / 3PIN

		TITLE <b>LED SPACER SUPPORT</b>	
		MATERIAL PA66 V2(UL94)	DATE 05/06/2018
PART NUMBER 11509AA01		DRAWING NUMBER 18.06.05.11509.0.E	
DRAWN R.F.		COLOR BLACK	CHECK
SIZE A4	SCALE 5:1	UNIT mm.	REV A
UNLESS OTHERWISE SPECIFIED TOLERANCE SEE ABOVE		APPROVED	