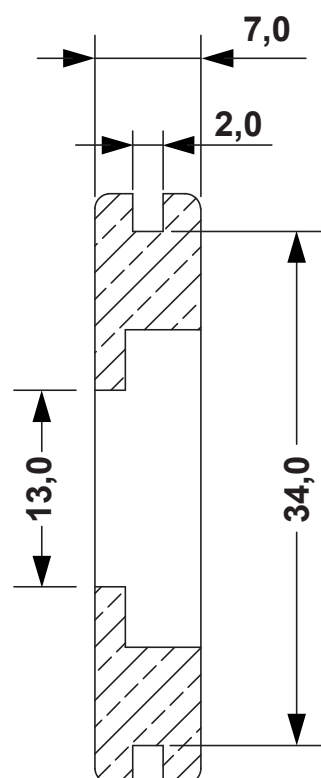
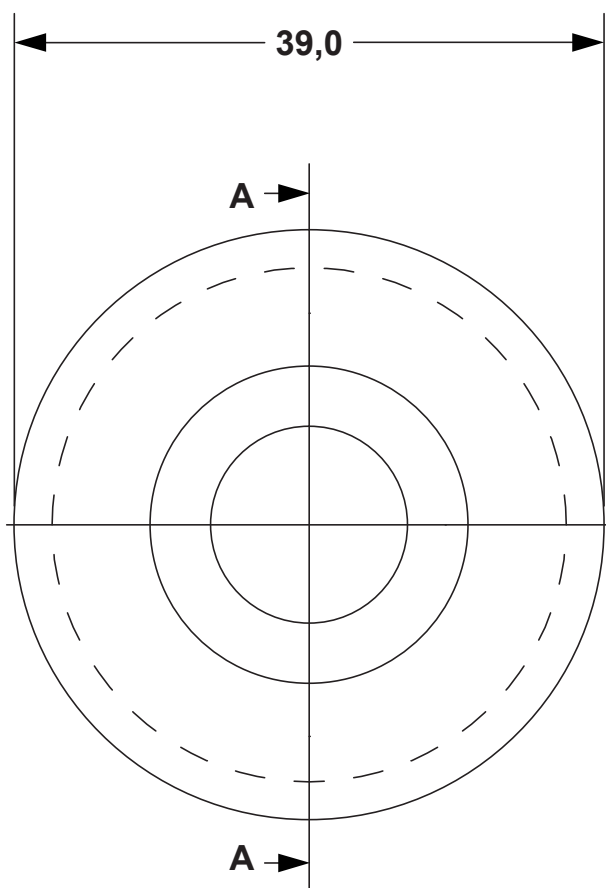


DIM.	TOL.
5mm DOWN	±0.2
5~20mm	±0.3
20~40mm	±0.4
40~60mm	±0.5
60~100mm	±0.8
100mm UP	±1.0

REVISIONS			
REV	DESCRIPTION	DATE	BY



**SECTION A-A**



**TITLE**  
**GROMMET WITH PERFORATED MEMBRANE**

**MATERIAL**  
PVC 50 SHORE

**DATE**  
04/09/2018

**DRAWN**  
R.F.

**COLOR**  
BLACK

**CHECK**

**PART NUMBER**  
12800CA01

**DRAWING NUMBER**  
18.09.04.12800.0.E

**SIZE**  
A4

**SCALE**  
1:2

**UNIT**  
mm.

**REV**  
A

**UNLESS OTHERWISE SPECIFIED TOLERANCE**  
SEE ABOVE

**APPROVED**