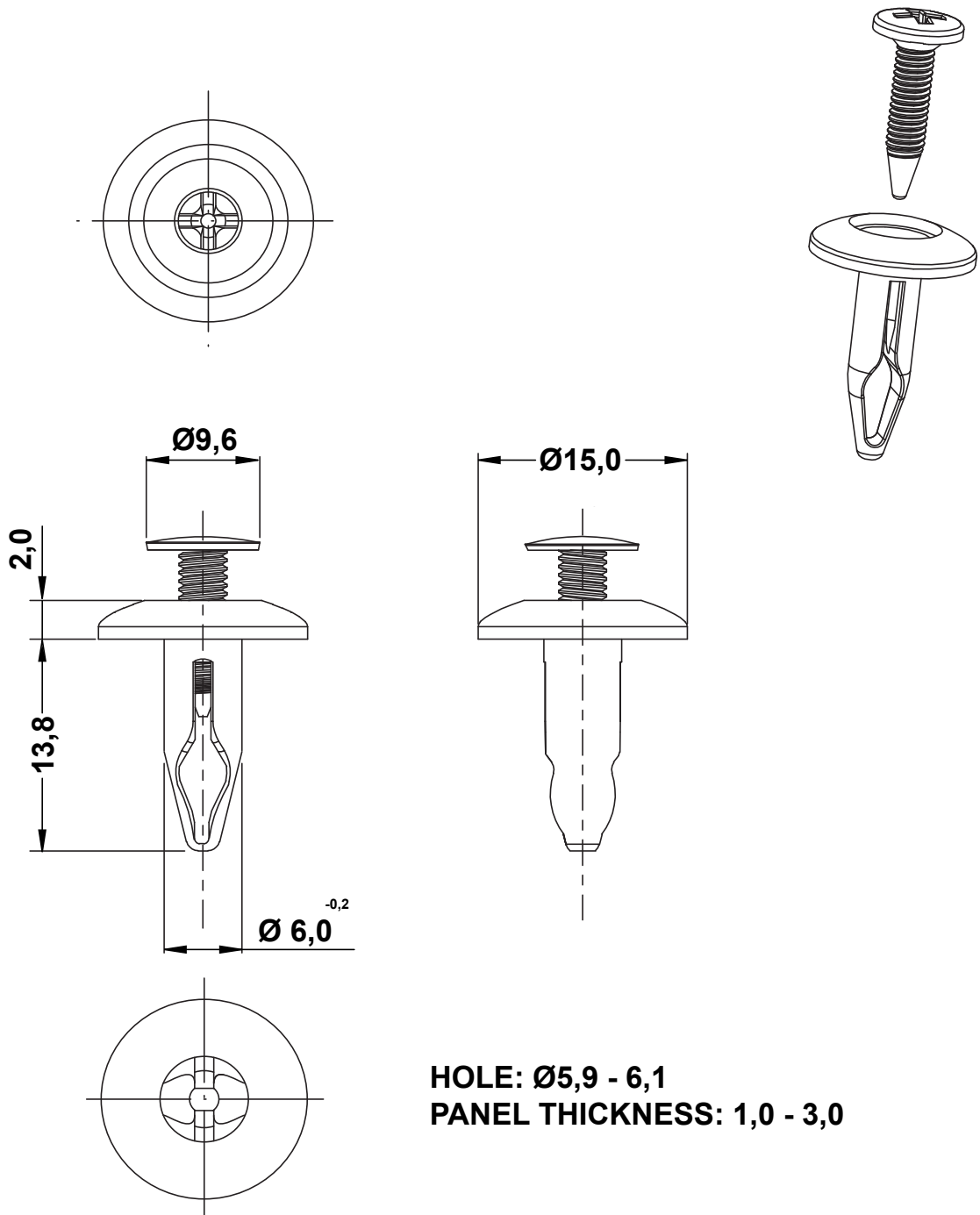


REVISIONS			
REV	DESCRIPTION	DATE	BY



HOLE: Ø5,9 - 6,1
PANEL THICKNESS: 1,0 - 3,0



TITLE SCREW PUSH RIVET		MATERIAL PA66 V2(UL94)	DATE 10/12/2018
		COLOR BLACK	DRAWN R.F.
PART NUMBER 10945AA01	DRAWING NUMBER 18.12.10.10945.0.E	CHECK (blank)	APPROVED (blank)
SIZE A4	SCALE NTS	UNIT mm.	REV A
UNLESS OTHERWISE SPECIFIED TOLERANCE SEE ABOVE		APPROVED (blank)	