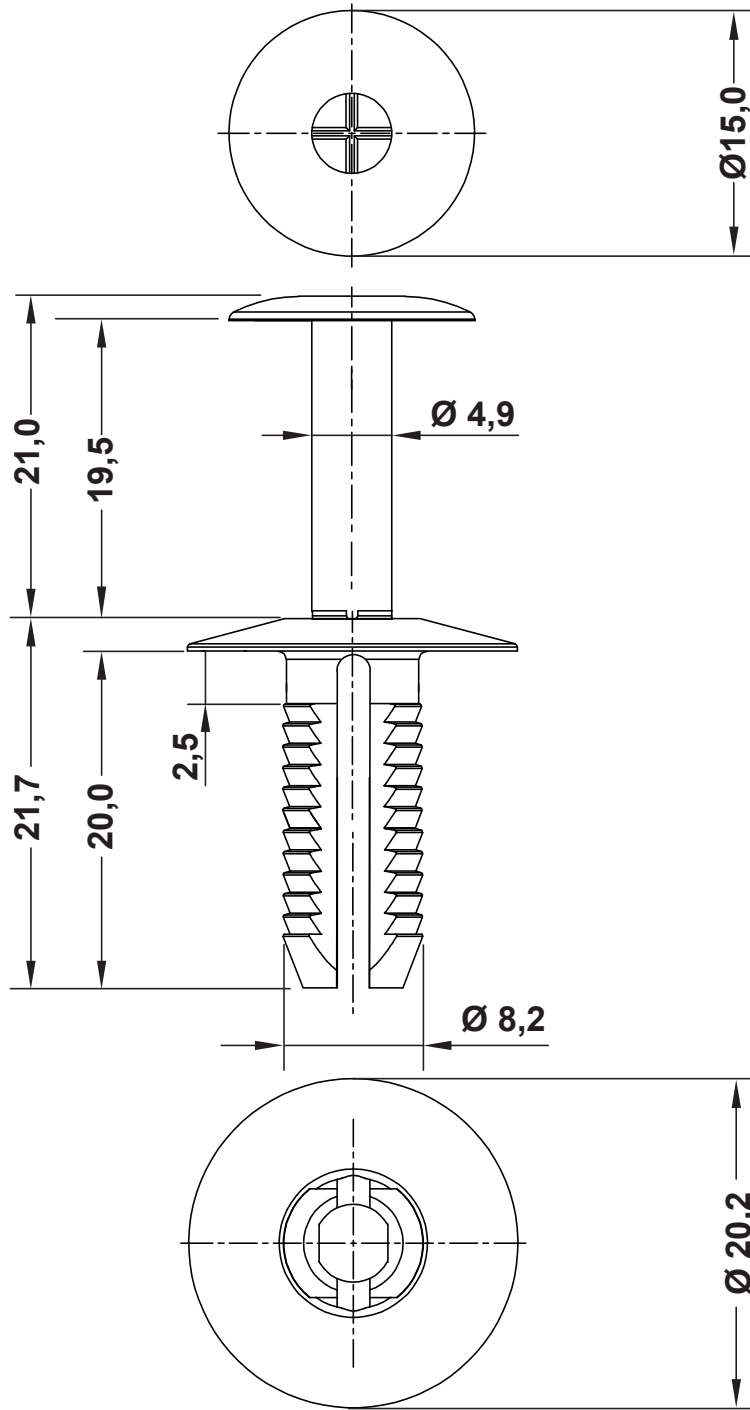


REVISIONS			
REV	DESCRIPTION	DATE	BY



TITLE PUSH RIVET		MATERIAL PA 6 UL94V2		DATE 17.12.2018	
		FINISH		DRAWN S.W	
PART NUMBER 11622AA117035		DRAWING NUMBER 18.12.17.11622.0.E		COLOR GRAY RAL7035	CHECK
SIZE A4	SCALE 3:1	UNIT mm.	REV A1	UNLESS OTHERWISE SPECIFIED TOLERANCE	
				APPROVED	