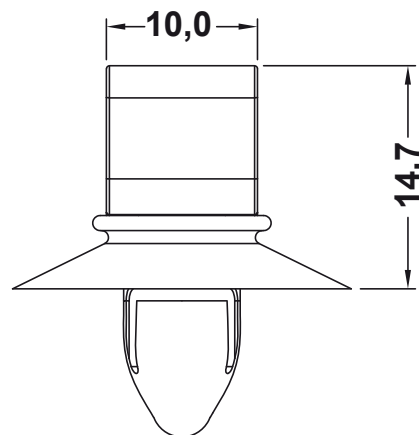
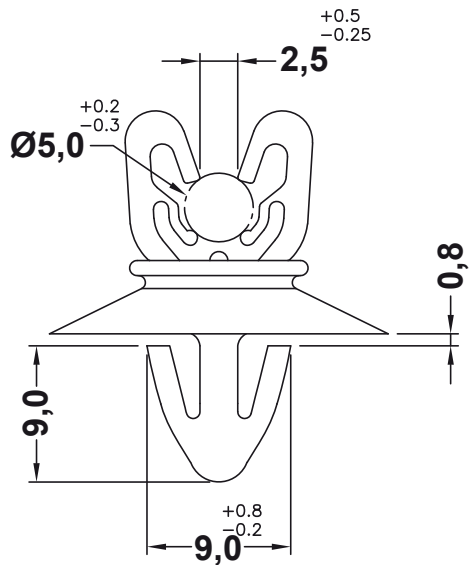
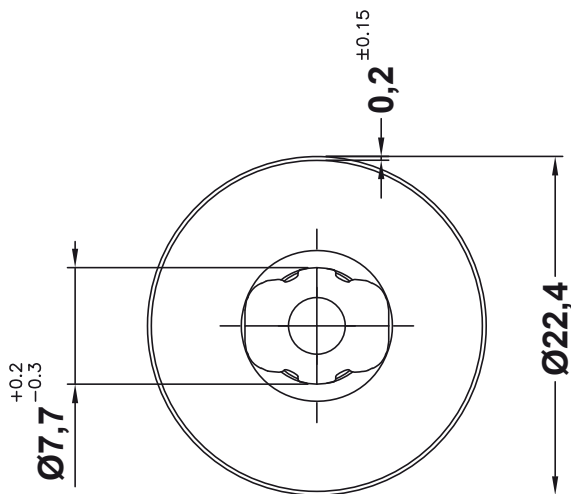


REVISIONS			
REV	DESCRIPTION	DATE	BY



**MOUNTING HOLE Ø8,0
CHASSIS THICKNESS 1,2**



TITLE WIRE MOUNT		MATERIAL PA66 V2(UL94)		DATE 07/12/2018	
		FINISH		DRAWN R.F.	
PART NUMBER 12817AA01		DRAWING NUMBER 18.12.07.12817.0.E		COLOR BLACK	
SIZE A4		SCALE 2:1		UNIT mm.	
REVISION C		UNLESS OTHERWISE SPECIFIED TOLERANCE SEE ABOVE		CHECK APPROVED	