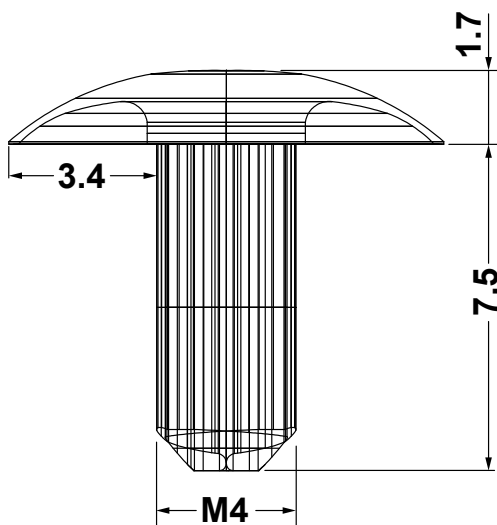
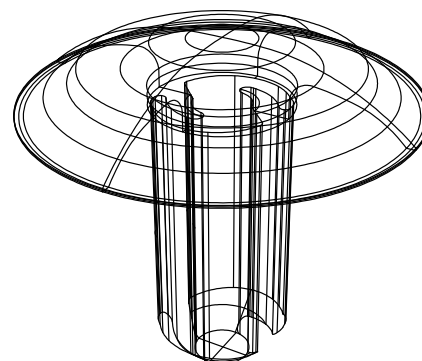
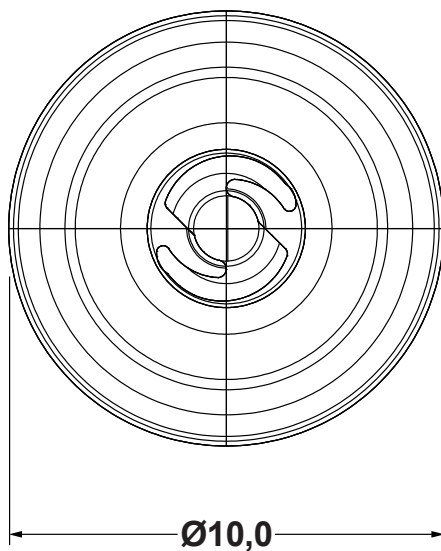


DIM.	TOL.
5mm DOWN	±0.2
5~20mm	±0.3
20~40mm	±0.4
40~60mm	±0.5
60~100mm	±0.8
100mm UP	±1.0

REVISIONS			
REV	DESCRIPTION	DATE	BY



TITLE **PLUGS FOR THREADED INSERT M4**

MATERIAL PA66 V2(UL94)	DATE 21/12/2018
---------------------------	--------------------

COLOR GRAY	DRAWN R.F.
---------------	---------------

UNLESS OTHERWISE SPECIFIED TOLERANCE SEE ABOVE	CHECK
---	-------

APPROVED
----------

PART NUMBER 12822AA11		DRAWING NUMBER 18.12.21.12822.0.E	
SIZE A4	SCALE NTS	UNIT mm.	REV A