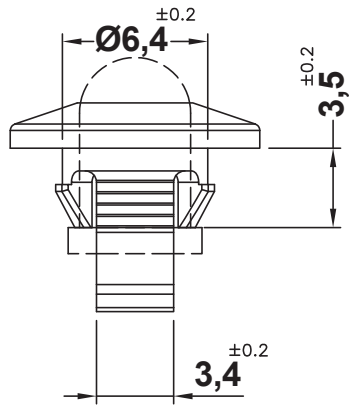
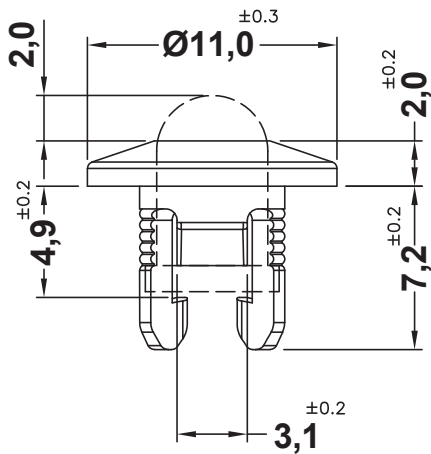
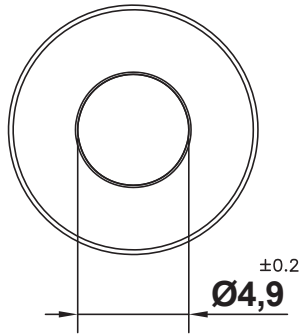


REVISIONS			
REV	DESCRIPTION	DATE	BY



NOTE:
MOUNTING HOLE Ø6,4 - 6,8
THICKNESS 1,5 mm
UV RESISTANT



TITLE LED HOLDER		MATERIAL PA 66 V2(UL94)		DATE 04/02/2019	
		COLOR BLACK		DRAWN R.F.	
PART NUMBER 12798AF01		DRAWING NUMBER 19.02.04.12798.0.E		CHECK (blank)	
SIZE A4	SCALE 3:1	UNIT mm.	REV A	UNLESS OTHERWISE SPECIFIED TOLERANCE SEE ABOVE	
APPROVED (blank)				APPROVED (blank)	