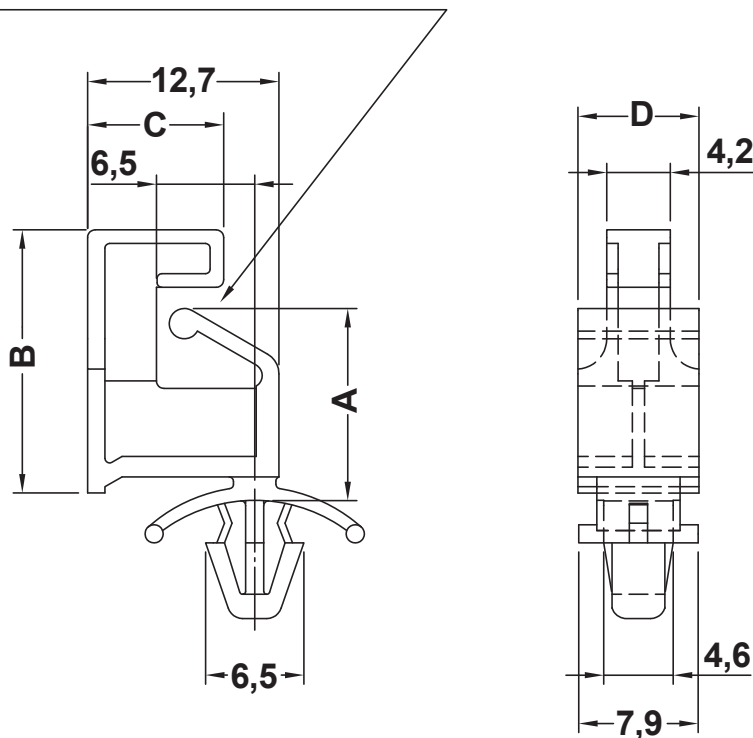


DIM.	TOL.
5mm DOWN	±0.2
5~20mm	±0.3
20~40mm	±0.4
40~60mm	±0.5
60~100mm	±0.8
100mm UP	±1.0

REVISIONS			
REV	DESCRIPTION	DATE	BY

CHASSIS THICKNESS 1,6 - 2,0



MOUNTING HOLE Ø4,8
CHASSIS THICKNESS 0,8 - 2,0

P/N	A	B	C	D
12830AA00	6.3	11.0	9.0	8.0
12831AA00	8.0	12.7	9.0	8.0
12832AA00	8.0	12.7	7.6	6.0
12833AA00	9.5	14.2	9.0	8.0
12834AA00	12.7	17.4	9.0	8.0
12835AA00	15.9	20.6	9.0	8.0



TITLE
SPACER SUPPORT

MATERIAL PA 6.6 V2(UL94)	DATE 30/01/2019
-----------------------------	--------------------

COLOR NATURAL	DRAWN R.F.
------------------	---------------

UNLESS OTHERWISE SPECIFIED TOLERANCE SEE ABOVE	CHECK
---	-------

APPROVED

PART NUMBER SEE TABLE	DRAWING NUMBER 19.01.30.1283X.0.E
SIZE A4	SCALE 2:1
UNIT mm.	REV A