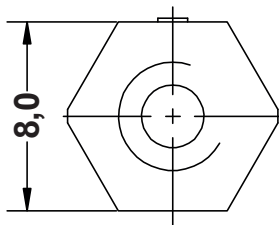
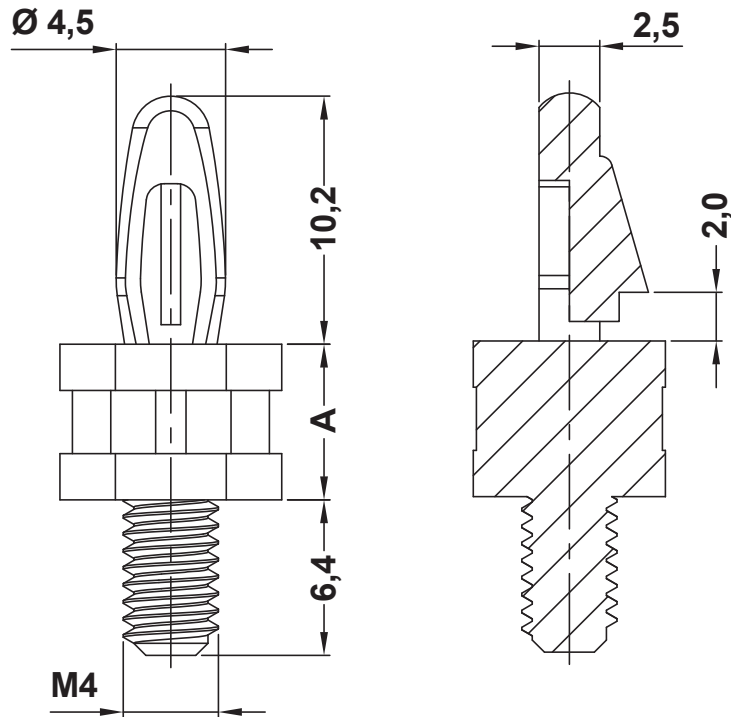


DIM.	TOL.
5mm DOWN	±0.2
5~20mm	±0.3
20~40mm	±0.4
40~60mm	±0.5
60~100mm	±0.8
100mm UP	±1.0

REVISIONS			
REV	DESCRIPTION	DATE	BY



**MOUNTING HOLE Ø 4.0**  
**PANELL THICKNESS: 1.6**

P/N	A
11125AA00	6,4
11126AA00	9,5
11127AA00	12,7
11128AA00	15,9
11129AA00	19,1
11130AA00	22,2
11131AA00	25,4
11132AA00	28,6
11133AA00	35,7



<b>TITLE</b> <b>P.C.B. SPACERS</b>			
<b>PART NUMBER</b> SEE TABLE		<b>DRAWING NUMBER</b> 19.03.20.111XX.0.E	<b>DRAWN</b> R.F.
<b>SIZE</b> A4	<b>SCALE</b> NTS	<b>UNIT</b> mm.	<b>REV</b> A
<b>COLOR</b> NATURAL			<b>CHECK</b>
<b>UNLESS OTHERWISE SPECIFIED TOLERANCE</b> SEE ABOVE			<b>APPROVED</b>