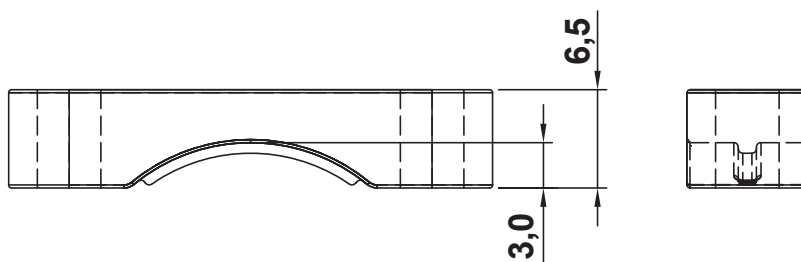
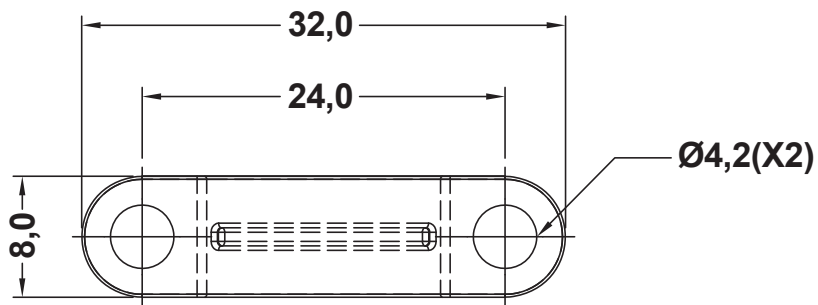


DIM.	TOL.
5mm DOWN	±0.2
5~20mm	±0.3
20~40mm	±0.4
40~60mm	±0.5
60~100mm	±0.8
100mm UP	±1.0

REVISIONS			
REV	DESCRIPTION	DATE	BY



TITLE WIRE MOUNT		MATERIAL PA 66 V2(UL94)		DATE 15/03/2019	
		COLOR BLACK		DRAWN R.F.	
PART NUMBER 12821AA01		DRAWING NUMBER 19.03.15.12821.0.E		CHECK (blank)	
SIZE A4		SCALE 2:1		UNLESS OTHERWISE SPECIFIED TOLERANCE SEE ABOVE	
UNIT mm.		REV A		APPROVED (blank)	