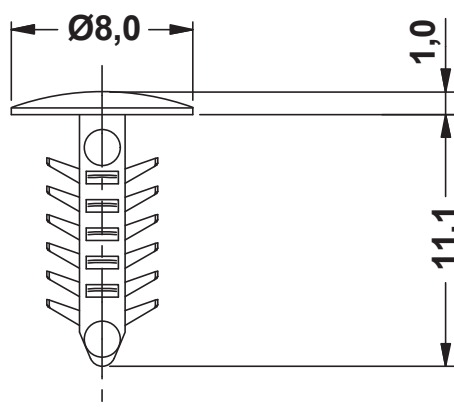
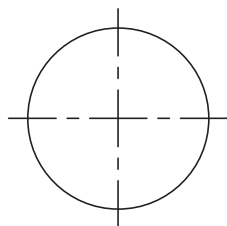
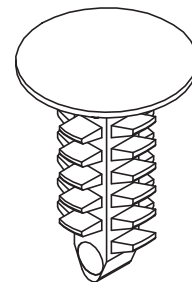


DIM.	TOL.
5mm DOWN	±0.2
5~20mm	±0.3
20~40mm	±0.4
40~60mm	±0.5
60~100mm	±0.8
100mm UP	±1.0

REVISIONS			
REV	DESCRIPTION	DATE	BY



PANEL THICKNESS 2,0 - 8,5  
MOUNTING HOLE Ø3,5 - 4,5



<b>TITLE</b> CLIPS		<b>MATERIAL</b> PA 66 V2(UL94)		<b>DATE</b> 19/03/2019	
		<b>COLOR</b> BLACK		<b>DRAWN</b> R.F.	
<b>PART NUMBER</b> 12879AA01		<b>DRAWING NUMBER</b> 19.03.19.12879.0.E		<b>CHECK</b> 	
<b>SIZE</b> A4	<b>SCALE</b> NTS	<b>UNIT</b> mm.	<b>REV</b> A	<b>UNLESS OTHERWISE SPECIFIED TOLERANCE</b> SEE ABOVE	
<b>APPROVED</b>					