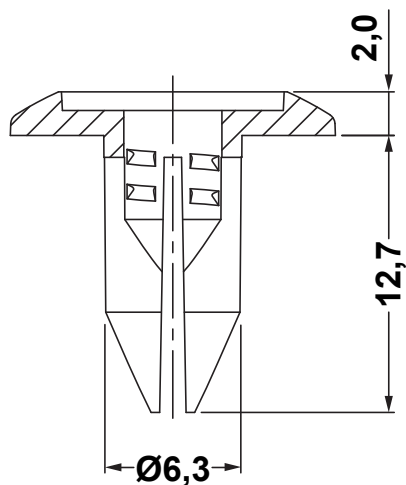
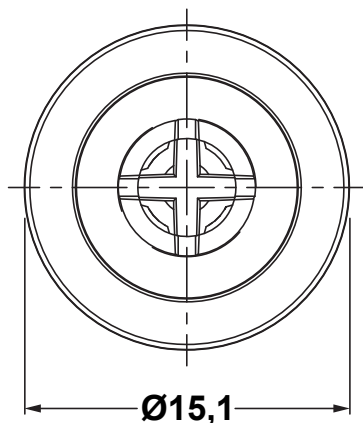


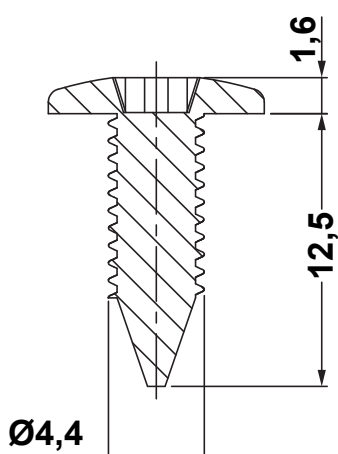
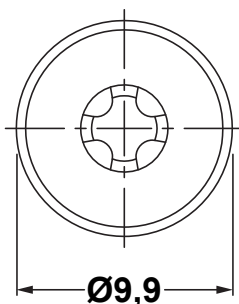
DIM.	TOL.
5mm DOWN	±0.2
5~20mm	±0.3
20~40mm	±0.4
40~60mm	±0.5
60~100mm	±0.8
100mm UP	±1.0

REVISIONS			
REV	DESCRIPTION	DATE	BY

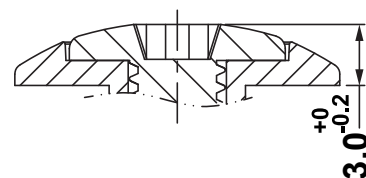
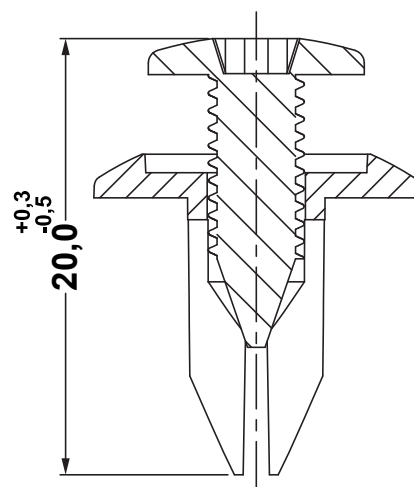
**BODY**



**PIN**



**ASSEMBLY PART**



**MOUNTING HOLE Ø6,4  
PANEL THICKNESS 3,2 - 4,4**



TITLE <b>SCREW RIVETS</b>		DATE 15/04/2019	
MATERIAL PA 6 V2(UL94)		DRAWN R.F.	
COLOR BLACK		CHECK	
UNLESS OTHERWISE SPECIFIED TOLERANCE SEE ABOVE		APPROVED	

PART NUMBER 12938AA01		DRAWING NUMBER 19.04.15.12938.0.E	
SIZE A4	SCALE NTS	UNIT mm.	REV A