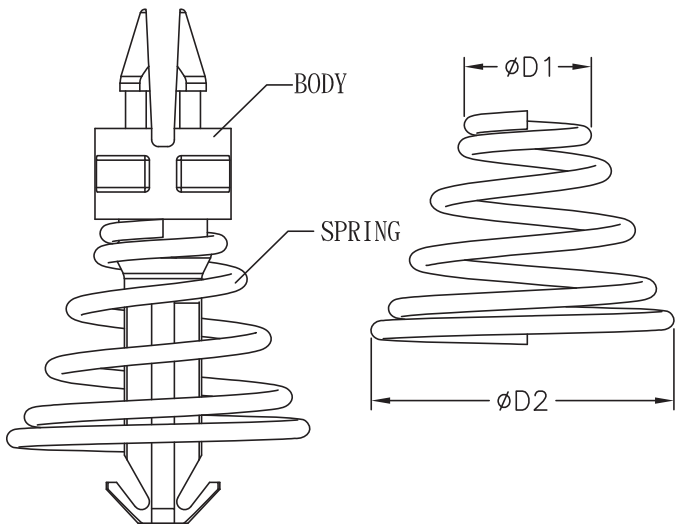
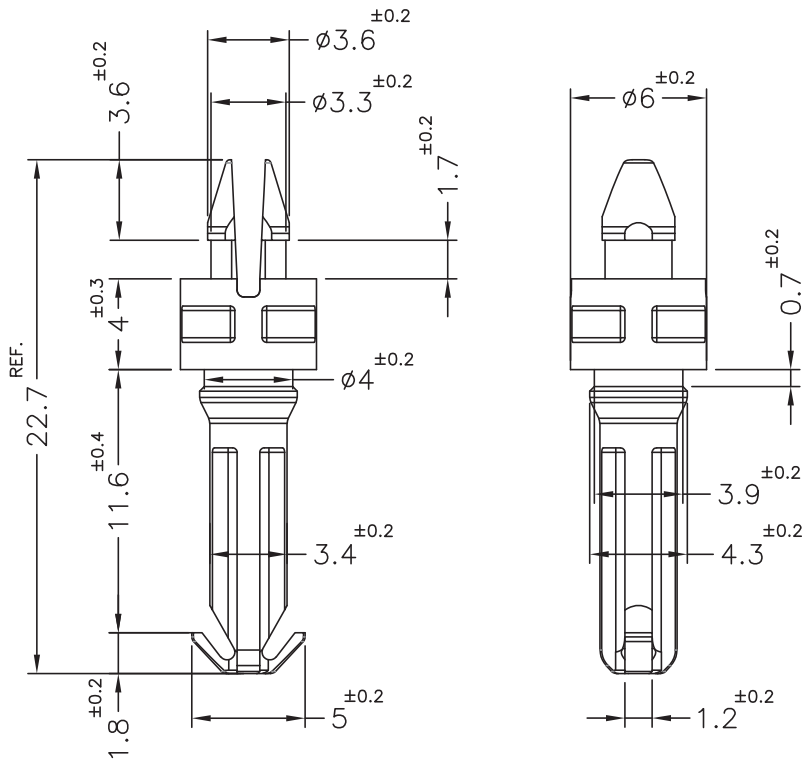


REVISIONS			
REV	DESCRIPTION	DATE	BY



TOTAL COIL	5.5
DIRECTION	TO RIGHT
WIRE DLAMETER	$\phi 0.7^{\pm 0.05}$
$\phi D1$ spring diameter	$\phi 5.4^{\pm 0.3}$
$\phi D2$ spring diameter	$\phi 14.0^{\pm 0.3}$
FREE LENGTH	$10.3^{\pm 0.3}$
K=0.62 N/mm $\pm 10\%$	

MOUNTING HOLE $\phi 4$
THICKNESS 0.8~1.0mm



TITLE			
SPACER TOP STANDOFF			
MATERIAL		DATE	
PA 66 V0(UL94)		09/05/2019	
SPRING'S MATERIAL		DRAWN	
SUS 304		R.F.	
COLOR		CHECK	
NATURAL			
UNLESS OTHERWISE SPECIFIED TOLERANCE		APPROVED	
SEE ABOVE			

PART NUMBER		DRAWING NUMBER	
12916AA00		19.05.09.12916.0.E	
SIZE	SCALE	UNIT	REV
A4	3:1	mm.	A