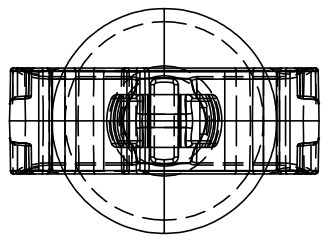
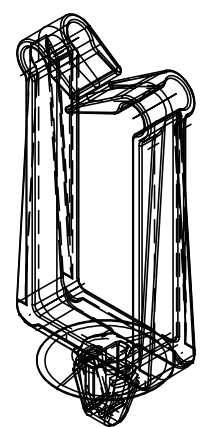
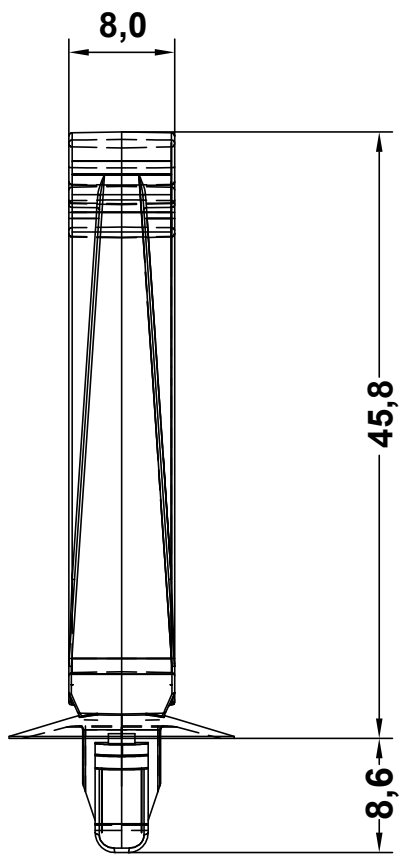
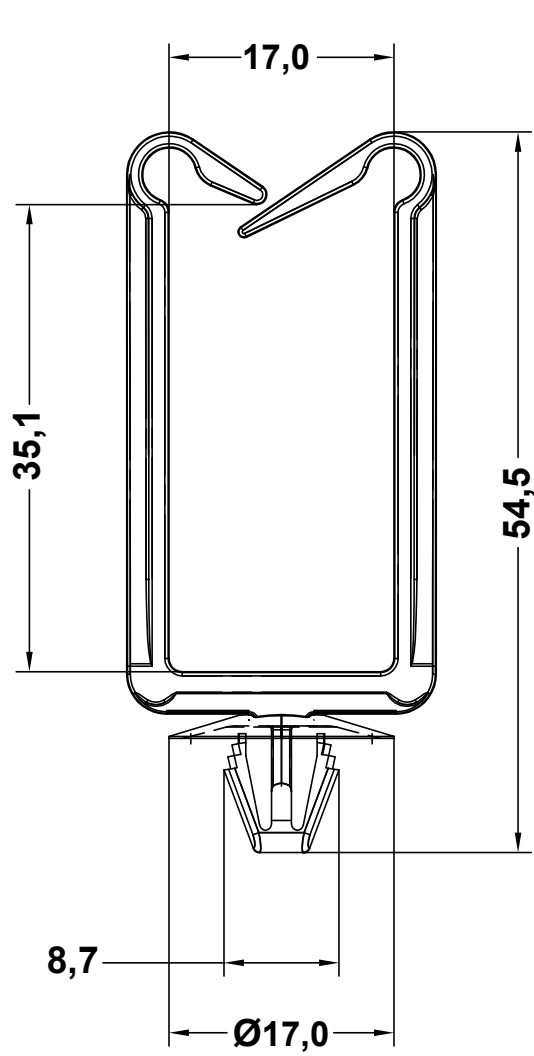


REVISIONS			
REV	DESCRIPTION	DATE	BY



**MOUNTING HOLE: Ø6,0 - 6,5**  
**PANEL THICKNESS: 0,6 - 2,5**



PART NUMBER 11632AA01		DRAWING NUMBER 19.06.13.11632.0.E		TITLE <b>CABLE HOLDER</b>	
SIZE A4		SCALE NTS		MATERIAL BASF B3S / PA 6 V2(UL94)	
UNIT mm.		REV A		DATE 13/06/2019	
UNLESS OTHERWISE SPECIFIED TOLERANCE DIN ISO 2768-1		COLOR BLACK		DRAWN R.F.	
				CHECK	
				APPROVED	