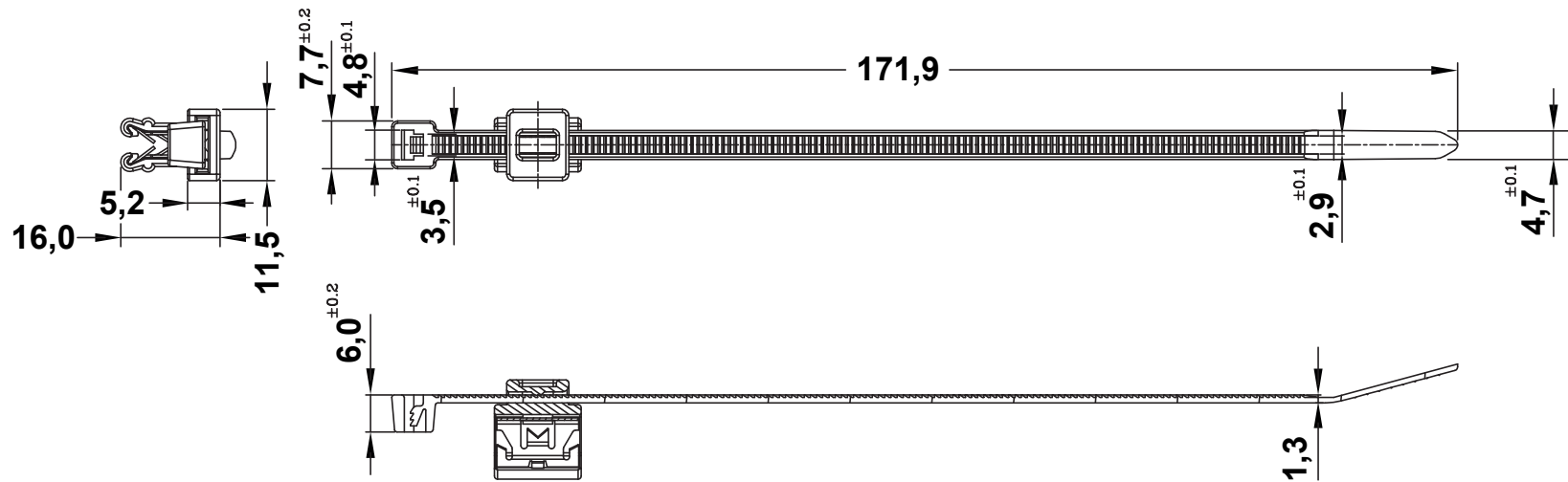
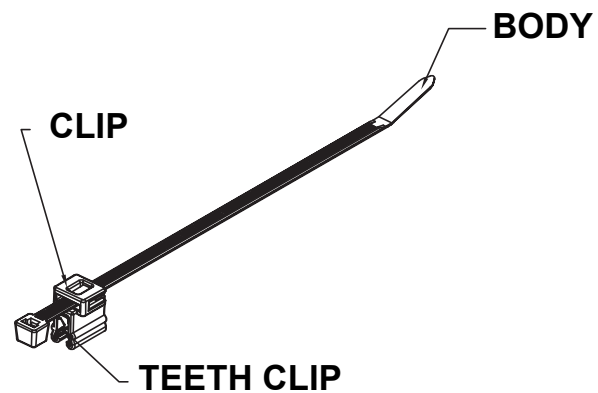


REVISIONS			
REV	DESCRIPTION	DATE	BY



PANEL THICKNESS: 0,6 - 3,0
BUNDLE DIAMETER: 6,0 ~ 40,0



BODY MATERIAL	PA66
CLIP MATERIAL	PA66
TEETH CLIP MATERIAL	IRON

REV.	DESCRIPTION	DATE	TITLE: CABLE TIES WITH FIXING CLIP	DWG UNIT: MM
	MATERIAL: SEE TABLE		Modelled in RHINO 4.0	
	COLOUR: BLACK		FILE:	DwN: 11/06/19
			TOLLERANCES UNLESS NOTED	ChkD:
			SEE ABOVE	DT: 19.06.11.12970.0
				Part Number: 12970AA01GS

