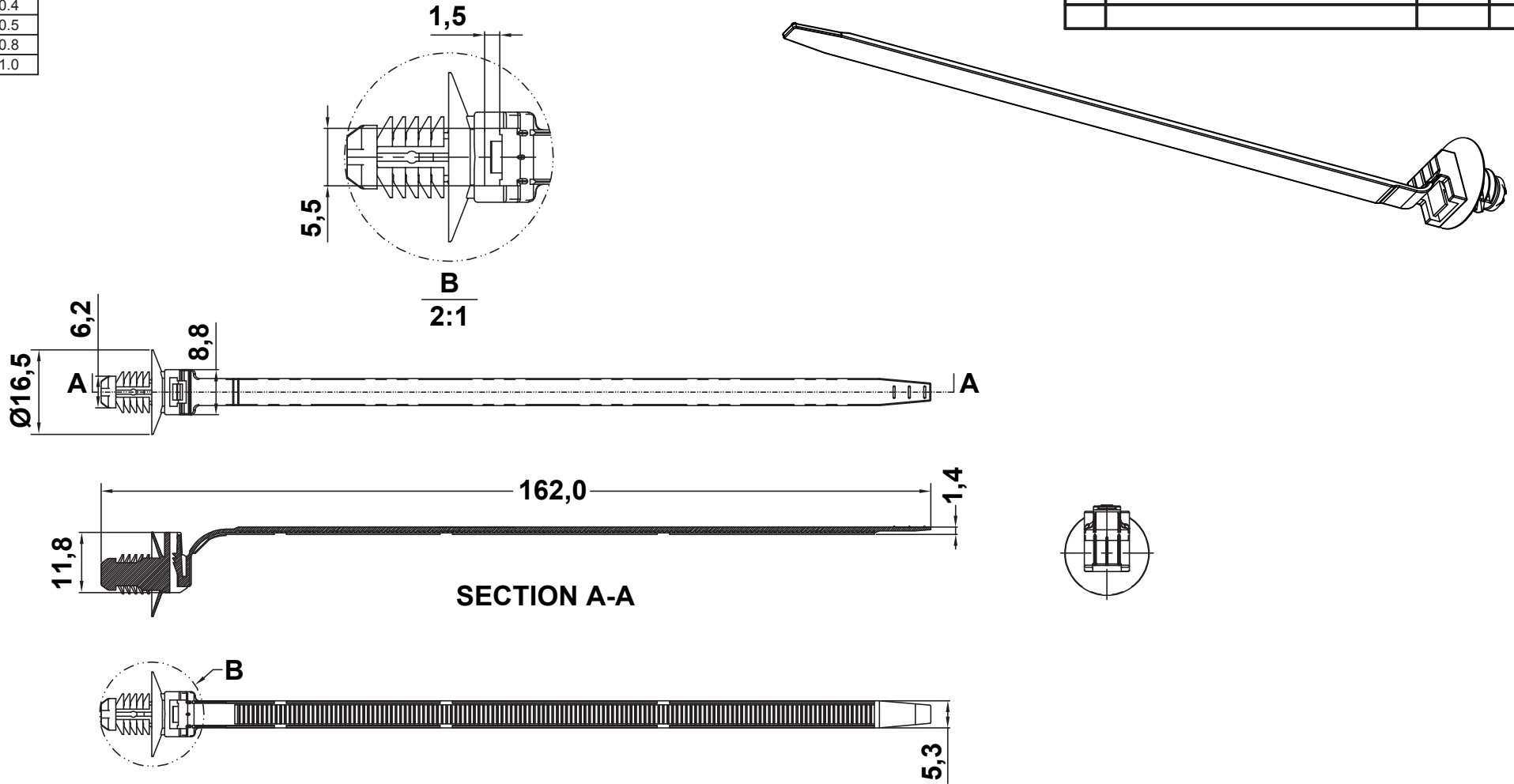



DIM.	TOL.
5mm DOWN	±0.2
5~20mm	±0.3
20~40mm	±0.4
40~60mm	±0.5
60~100mm	±0.8
100mm UP	±1.0

REVISIONS			
REV	DESCRIPTION	DATE	BY



**MOUNTING HOLE: Ø7,0**  
**PANEL THICKNESS: 0,6 - 5,0**  
**BUNDLE DIAMETER: 0 ~ 40,0**  
**PULL FORCE: ≥ 150N**

DESCRIPTION		TITLE: <b>CABLE TIES</b>		DWG UNIT: MM	
MATERIAL: PA 6.6		Modelled in RHINO 4.0		FILE:	DwN: 14/06/19
COLOUR: BLACK		TOLLERANCES UNLESS NOTED	SHEET: 1 OF 1	DT:19.06.14.12974.0.El	ChkD: Part Number: 12974AA01
		SEE ABOVE	SCALE: NTS		
REV.	DATE				