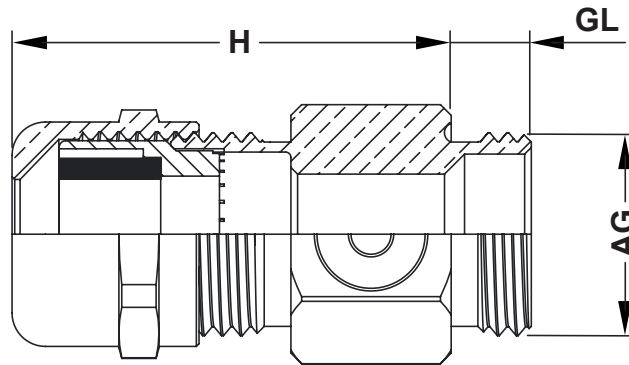




REVISIONS			
REV	DESCRIPTION	DATE	BY



P/N	AG	H	GL	 mm	CABLE Ø	HOLE Ø	AVERAGE AIR FLOW l/h	WATER INTRUSION mbar
13225MA92	M12 x 1,5	31,5	6,0	17,0	4 - 8	12,3	70,0	0,1
13226MA92	M12 x 1,5	31,5	8,0	17,0	4 - 8	12,3	70,0	0,1
13227MA92	M16 x 1,5	31,5	6,0	17,0	4 - 8	16,3	70,0	0,1
13228MA92	M16 x 1,5	31,5	8,0	17,0	4 - 8	16,3	70,0	0,1
13229MA92	M16 x 1,5	33,5	6,0	20,0	5 - 10	16,3	70,0	0,1
13230MA92	M16 x 1,5	33,5	8,0	20,0	5 - 10	16,3	70,0	0,1
13231MA92	M20 x 1,5	35,0	8,0	22,0	6 - 12	20,3	70,0	0,1

MATERIAL

Cap nut : Brass nickel plated
 Sealing ring : TPV
 Gland body : Brass nickel plated
 Cable holder : Polyamide PA6 V2
 O-ring : NBR / EPDM
 Vent Part : Acrylic Co-Polymer on Nylon Support
 (Hydrophobic-Oleophobic)
 Connection thread : Metric (EN 60423)
 Protection class : IP68
 Temperature range : -20 °C +100 °C -30 +150 °C (short term)

				TITLE VENTILATION GLANDS			
				MATERIAL SEE ABOVE		DATE 06/05/2019	
				COLOR SEE ABOVE		DRAWN R.F.	
PART NUMBER SEE TABLE		DRAWING NUMBER 19.05.06.132XX.0.E		CHECK			
SIZE A4	SCALE NTS	UNIT mm.	REV A	UNLESS OTHERWISE SPECIFIED TOLERANCE			
				APPROVED			