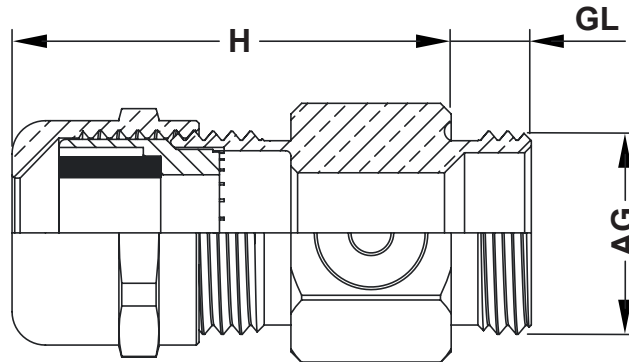




REVISIONS			
REV	DESCRIPTION	DATE	BY



P/N	AG	H	GL	 mm	CABLE Ø	HOLE Ø	AVERAGE AIR FLOW l/H	WATER INTRUSION mbar
13235MA92	PG 7	31,5	6,0	17,0	4 - 8	13,0	70,0	0,1
13236MA92	PG 7	31,5	8,0	17,0	4 - 8	13,0	70,0	0,1
13237MA92	PG 9	31,5	6,0	17,0	4 - 8	15,5	70,0	0,1
13238MA92	PG 9	31,5	8,0	17,0	4 - 8	15,5	70,0	0,1
13239MA92	PG 11	33,5	6,0	20,0	5 - 10	19,0	70,0	0,1
13240MA92	PG 11	33,5	8,0	20,0	5 - 10	19,0	70,0	0,1
13241MA92	PG 13,5	35,0	6,5	22,0	6 - 12	21,0	70,0	0,1
13242MA92	PG 13,5	35,0	8,0	22,0	6 - 12	21,0	70,0	0,1

MATERIAL

Cap nut : Brass nickel plated
 Sealing ring : TPV
 Gland body : Brass nickel plated
 Cable holder : Polyamide PA6 V2
 O-ring : NBR / EPDM
 Vent Part : Acrylic Co-Polymer on Nylon Support
 (Hydrophobic-Oleophobic)
 Connection thread : PG (DIN 40430)
 Protection class : IP68
 Temperature range : -20 °C +100 °C -30 +150 °C (short term)

				TITLE VENTILATION GLANDS			
				MATERIAL SEE ABOVE		DATE 06/05/2019	
				DRAWN R.F.		CHECK	
PART NUMBER SEE TABLE		DRAWING NUMBER 19.05.06.132XX.0.E		COLOR SEE ABOVE		UNLESS OTHERWISE SPECIFIED TOLERANCE	
SIZE A4	SCALE NTS	UNIT mm.	REV A	APPROVED			