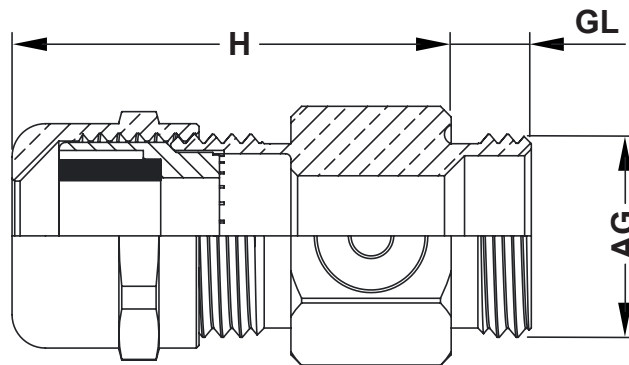



REVISIONS			
REV	DESCRIPTION	DATE	BY



P/N	AG	H	GL	 mm	CABLE Ø	HOLE Ø	AVERAGE AIR FLOW I/H	WATER INTRUSION mbar
13235MD90	PG 7	31,5	6,0	17,0	4 - 8	13,0	70,0	0,1
13236MD90	PG 7	31,5	8,0	17,0	4 - 8	13,0	70,0	0,1
13237MD90	PG 9	31,5	6,0	17,0	4 - 8	15,5	70,0	0,1
13238MD90	PG 9	31,5	8,0	17,0	4 - 8	15,5	70,0	0,1
13239MD90	PG 11	33,5	6,0	20,0	5 - 10	19,0	70,0	0,1
13240MD90	PG 11	33,5	8,0	20,0	5 - 10	19,0	70,0	0,1
13241MD90	PG 13,5	35,0	6,5	22,0	6 - 12	21,0	70,0	0,1
13242MD90	PG 13,5	35,0	8,0	22,0	6 - 12	21,0	70,0	0,1

MATERIAL

Cap nut : Stainless steel (AISI303/316L)

Sealing ring : TPV

Gland body : Stainless steel (AISI303/316L)

Cable holder : Polyamide PA6 V2


O-ring : NBR / EPDM

Vent Part : Acrylic Co-Polymer on Nylon Support
(Hydrophobic-Oleophobic)

Connection thread : PG (DIN 40430)

Protection class : IP68

Temperature range : -20 °C +100 °C -30 +150 °C (short term)

				TITLE VENTILATION GLANDS			
				MATERIAL SEE ABOVE		DATE 06/05/2019	
				COLOR SEE ABOVE		DRAWN R.F.	
PART NUMBER SEE TABLE		DRAWING NUMBER 19.05.06.132XX.0.E		CHECK			
SIZE A4	SCALE NTS	UNIT mm.	REV A	UNLESS OTHERWISE SPECIFIED TOLERANCE			
				APPROVED			