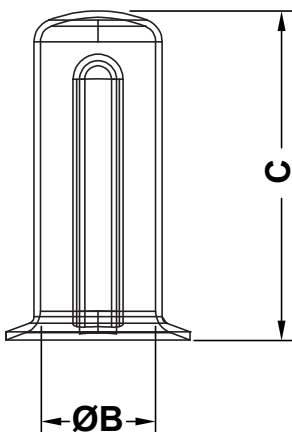
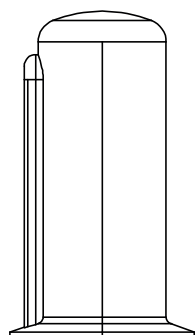
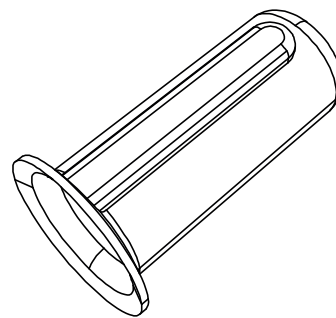
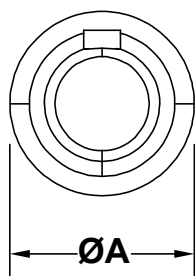


REVISIONS			
REV	DESCRIPTION	DATE	BY



P/N	ØA	ØB	C
25380EA06	14,5	9,0	25,0
25381EA06	16,0	10,0	30,0
25382EA06	17,5	11,0	30,0
25383EA06	22,5	14,0	35,0
25384EA06	25,5	15,0	35,0
25385EA06	25,5	16,0	50,0
25386EA06	30,5	19,0	50,0
25387EA06	32,5	20,0	60,0
25388EA06	35,5	22,0	60,0
25389EA06	38,5	24,0	60,0
25390EA06	40,0	25,0	70,0
25391EA06	45,0	28,0	70,0

P/N	ØA	ØB	C
25392EA06	48,0	30,0	95,0
25393EA06	51,0	32,0	95,0
25394EA06	56,0	35,0	95,0
25395EA06	61,0	38,0	95,0
25396EA06	67,0	42,0	130,0
25397EA06	72,0	45,0	130,0
25398EA06	77,0	48,0	130,0
25399EA06	88,0	55,0	130,0
25400EA06	96,0	60,0	165,0
25401EA06	104,0	65,0	165,0
25402EA06	108,0	70,0	165,0
25403EA06	112,0	75,0	165,0



TITLE DRIVESHAFT PROTECTION CAPS	
MATERIAL PE-LD	DATE 04/06/2019
	DRAWN R.F.
COLOR YELLOW	CHECK
UNLESS OTHERWISE SPECIFIED TOLERANCE	APPROVED

PART NUMBER SEE TABLE	DRAWING NUMBER 19.06.04.25XXX.0.E
SIZE A4	SCALE NTS
UNIT mm.	REV A