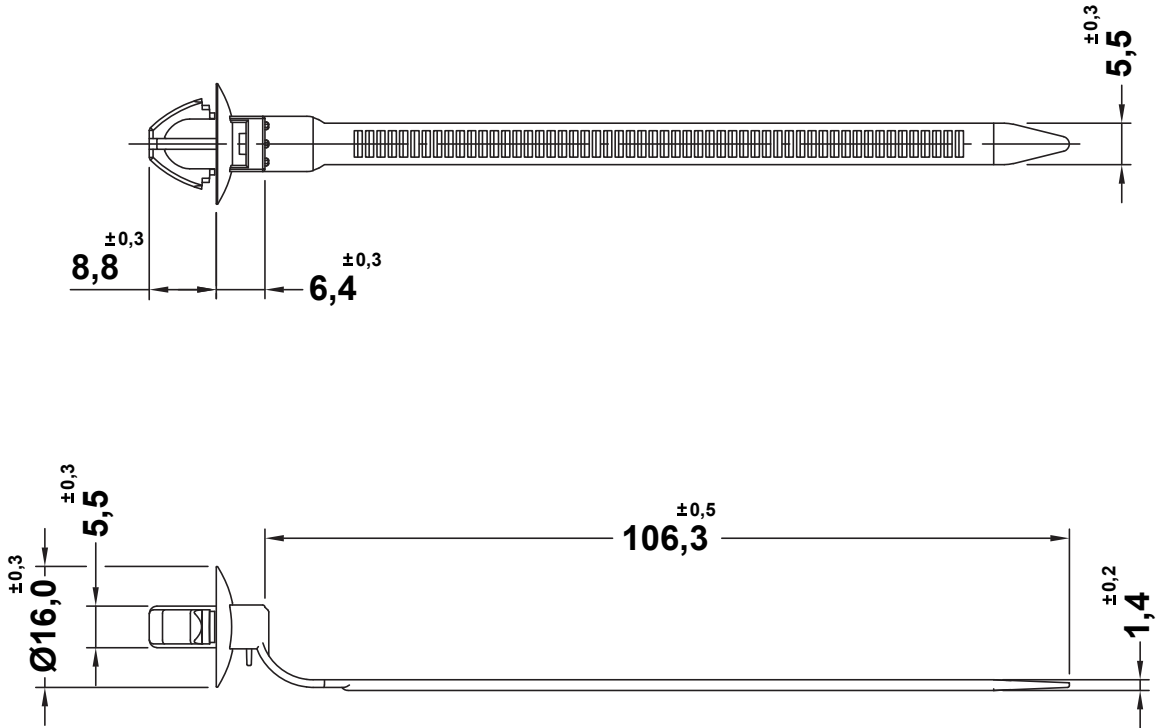


REVISIONS			
REV	DESCRIPTION	DATE	BY



HOLE IN P.C.B Ø8,0 P.C.B THICKNESS 1,0
 HOLE IN P.C.B Ø10,0 P.C.B THICKNESS 2,0



TITLE CABLE TIES		MATERIAL PA 66 V0(UL94)		DATE 16/07/2019	
		COLOR BLACK		DRAWN R.F.	
PART NUMBER 13137AF01		DRAWING NUMBER 19.07.16.13137.0.E		CHECK (blank)	
SIZE A4	SCALE 1:1	UNIT mm.	REV A	UNLESS OTHERWISE SPECIFIED TOLERANCE SEE ABOVE	
				APPROVED (blank)	