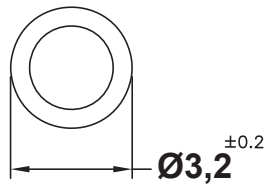
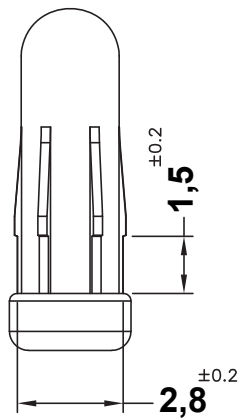
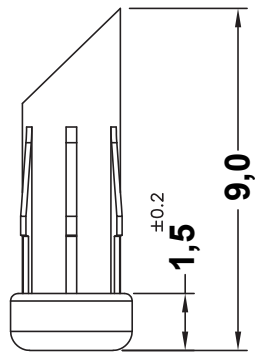
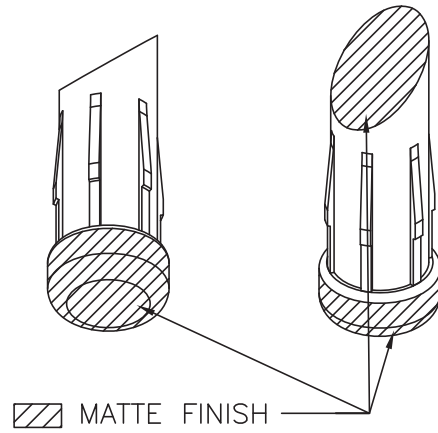


REVISIONS			
REV	DESCRIPTION	DATE	BY



fastpoint		TITLE LIGHT PIPE	
		MATERIAL PC	DATE 24/09/2019
PART NUMBER 13169NA00		DRAWN R.F.	
DRAWING NUMBER 19.09.24.13169.0.E		COLOR TRANSPARENT	CHECK
SIZE A4	SCALE 5:1	UNIT mm.	REV A
UNLESS OTHERWISE SPECIFIED TOLERANCE SEE ABOVE		APPROVED	