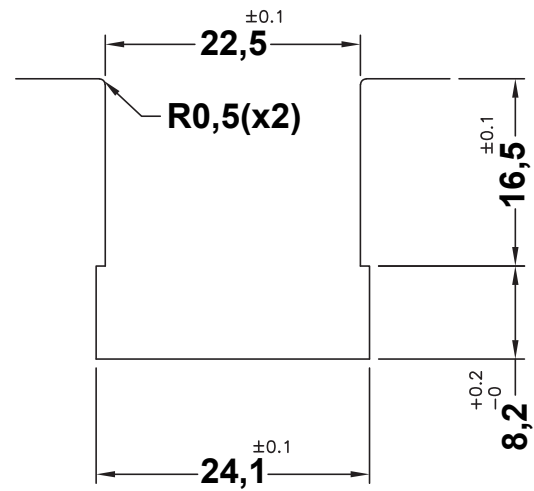
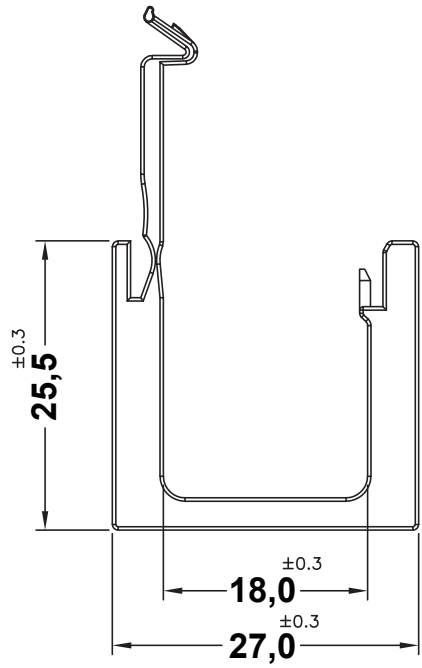
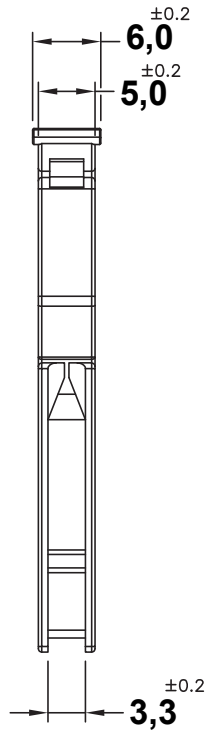


| REVISIONS | | | |
|-----------|-------------|------|----|
| REV | DESCRIPTION | DATE | BY |
| | | | |
| | | | |



**RECOMMEND MOUNTING HOLE
RECOMMEND THICKNESS: 0,8 - 3,0**



| | | | | | |
|--|--|---|--|--|--|
| TITLE SQUARE SNAP BUSHING | | MATERIAL PA 66 V2(UL94) | | DATE 10/10/2019 | |
| | | COLOR NATURAL | | DRAWN R.F. | |
| PART NUMBER 13181AA00 | | DRAWING NUMBER 19.10.10.13181.0.E | | CHECK (blank) | |
| SIZE A4 | | SCALE 3:2 | | UNLESS OTHERWISE SPECIFIED TOLERANCE SEE ABOVE | |
| UNIT mm. | | REV A | | APPROVED (blank) | |