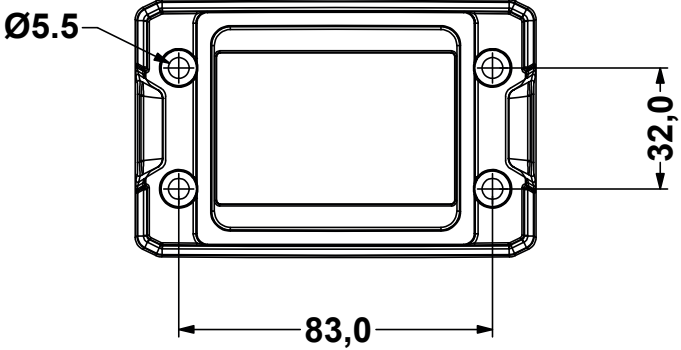
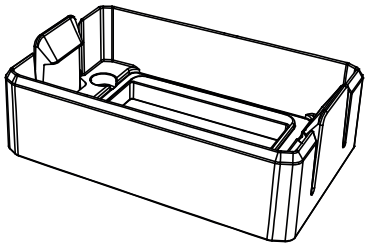
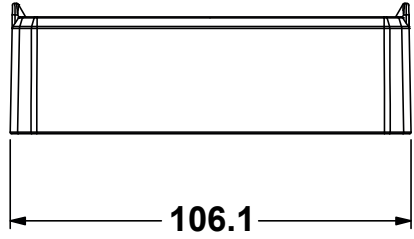
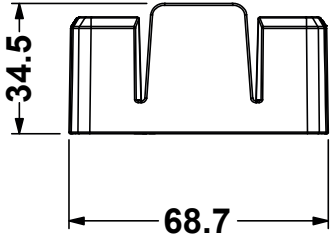
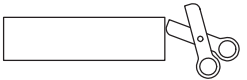


REVISIONS			
REV	DESCRIPTION	DATE	BY



Recommended cut-out:
63 x 39 mm



Flammability: UL94-V0, self-extinguishing
 Temperature: -40°C ... +155°C
 Properties: halogen-free, silicone-free

SUPPLIER PRODUCT NUMBER: 1731031010

		IP54	NEMA 12
--	--	-------------	----------------

REV.	DESCRIPTION	DATE	TITLE: FAST FIXING SOLUTION FOR SPLITTABLE FRAMES	FILE:	DwN: 05/09/19	ChkD:	DWG UNIT: MM
	MATERIAL: PP + GF		Modelled in RHINO 4.0				
	COLOUR: BLACK		TOLLERANCES UNLESS NOTED	SHEET: 1 OF 1	DT:19.09.05.16011.0.El	Part Number: 16011FG01	
				SCALE: 1:2			