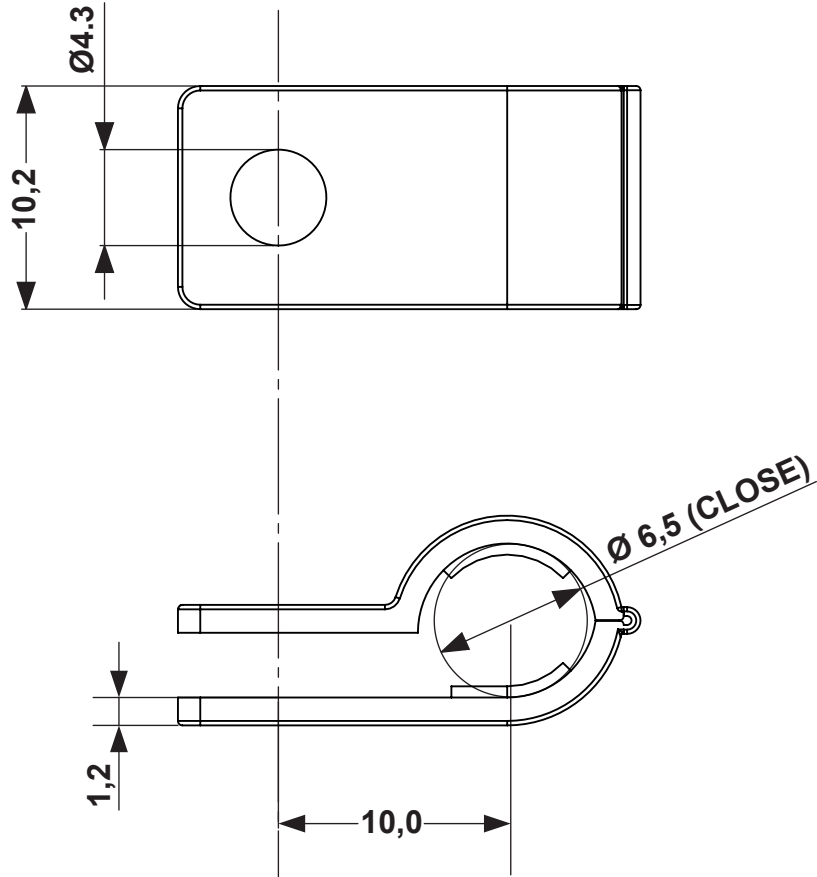


DIM.	TOL.
5mm DOWN	±0.2
5~20mm	±0.3
20~40mm	±0.4
40~60mm	±0.5
60~100mm	±0.8
100mm UP	±1.0

REVISIONS			
REV	DESCRIPTION	DATE	BY



				TITLE CABLE CLAMP			
				MATERIAL NYLON 66 UL94V-2	DATE 18/01/2017		
				ADESIVO	DRAWN R.F.		
PART NUMBER 0356AA00		DRAWING NUMBER 17.01.18.0356.0.E		COLOR NATURAL		CHECK	
SIZE A4	SCALE NTS	UNIT mm	REV A	UNLESS OTHERWISE SPECIFIED TOLERANCE SEE ABOVE		APPROVED	