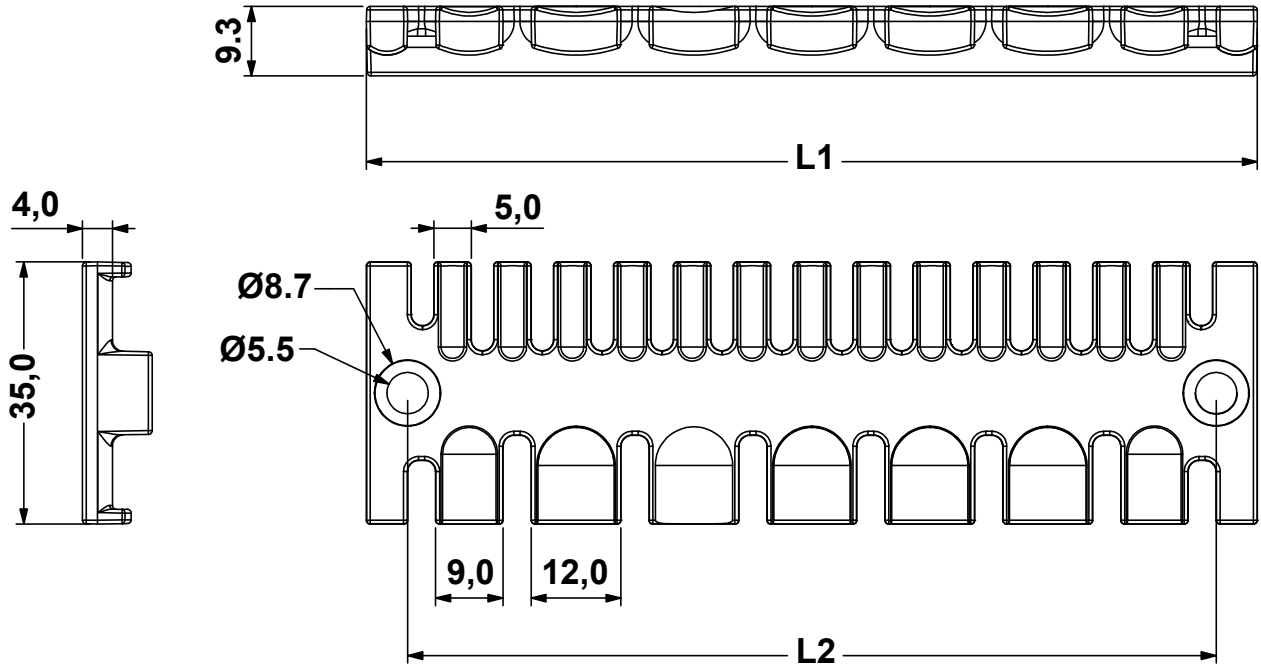
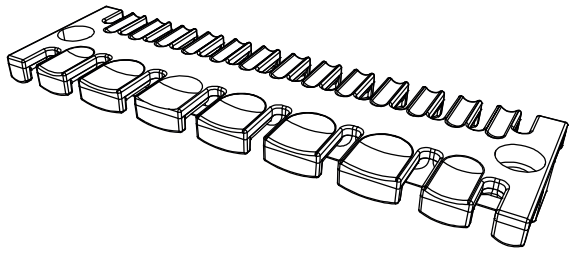
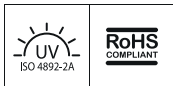


REVISIONS			
REV	DESCRIPTION	DATE	BY



P/N	P/N SUPPLIER	L1	L2	Teeth
16311AA01	1733010047	63,4	42,0	4-7
16312AA01	1733010611	95,0	74,5	6-11
16313AA01	1733010713	119,0	108,0	7-13



Flammability: UL94-V0, self-extinguishing  
 Temperature: -40°C ... +140°C  
 Properties: halogen-free, silicone-free



TITLE <b>STRAIN RELIEF MODULES DOUBLE COMB FOR SCREW FIXING</b>	
MATERIAL PA 66	DATE 04/10/2019
COLOR BLACK	DRAWN R.F.
PART NUMBER SEE TABLE	CHECK
DRAWING NUMBER 19.10.04.1631X.0.E	APPROVED
SIZE A4	UNLESS OTHERWISE SPECIFIED TOLERANCE SEE ABOVE
SCALE 1:1	UNIT mm.
REV A	