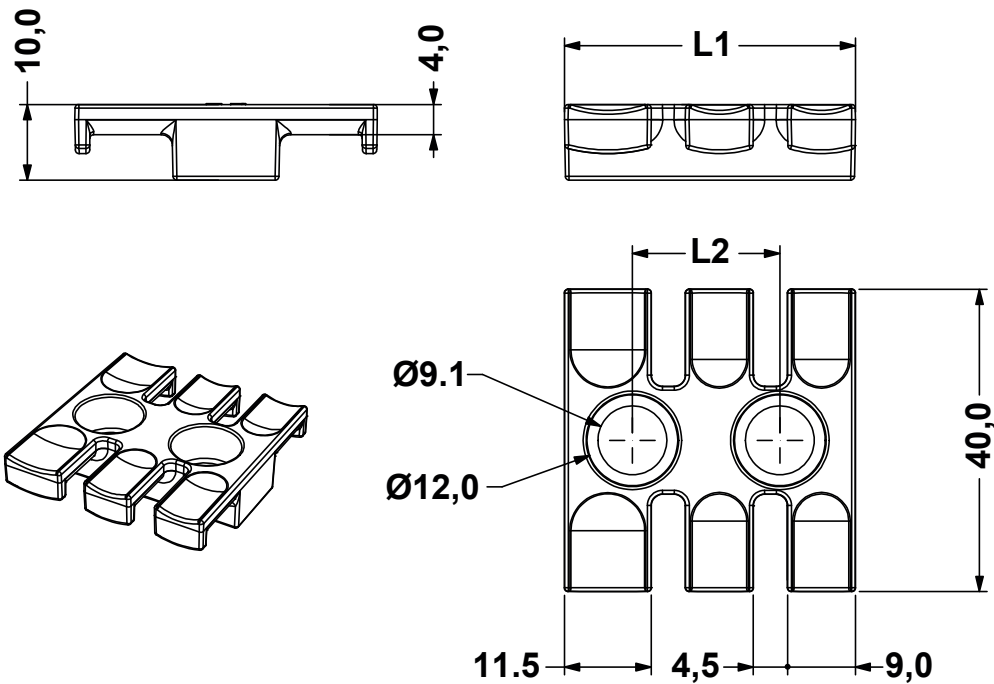
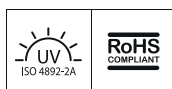


REVISIONS			
REV	DESCRIPTION	DATE	BY



P/N	P/N SUPPLIER	L1	L2	Teeth
16322AA01	1733020003	38.5	19,5	3
16323AA01	1733020004	59.5	43,5	4
16324AA01	1733020005	69,1	43,5	5
16325AA01	1733020006	86.5	68,0	6
16326AA01	1733020007	102,5	84,0	7
16327AA01	1733020008	121,0	102,5	8
16328AA01	1733020009	139.5	121,0	9
16329AA01	1733020010	180,0	157,0	12



Flammability: UL94-V0, self-extinguishing
 Temperature: -40°C ... +140°C
 Properties: halogen-free, silicone-free



TITLE STRAIN RELIEF MODULES FOR SCREW FIXING	
MATERIAL PA 66	DATE 04/10/2019
	DRAWN R.F.
COLOR BLACK	CHECK
PART NUMBER SEE TABLE	DRAWING NUMBER 19.10.04.1632X.0.E
SIZE A4	SCALE 1:1
UNIT mm.	REV A
UNLESS OTHERWISE SPECIFIED TOLERANCE SEE ABOVE	APPROVED