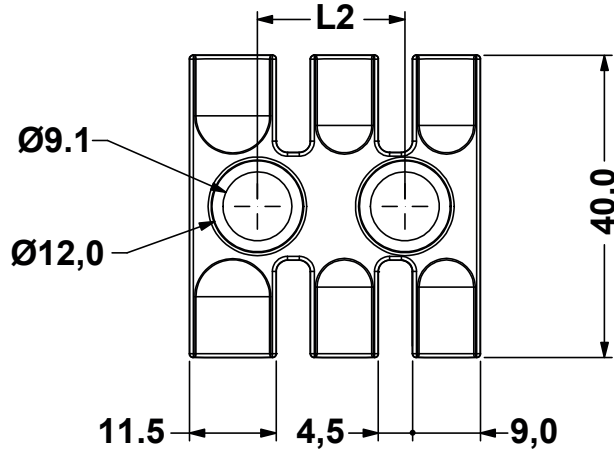
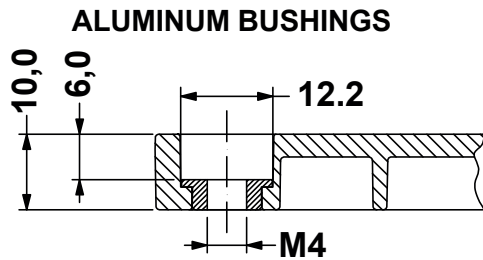
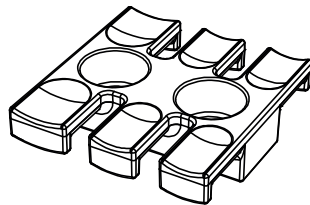
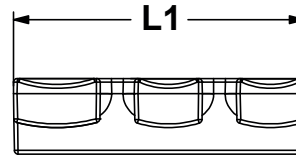
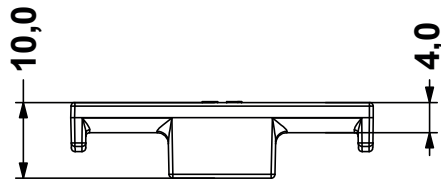
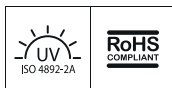


| REVISIONS | | | |
|-----------|-------------|------|----|
| REV | DESCRIPTION | DATE | BY |
| | | | |
| | | | |



| P/N | P/N SUPPLIER | L1 | L2 | Teeth |
|-----------|--------------|-------|-------|-------|
| 16331AA01 | 1733021403 | 38,5 | 19,5 | 3 |
| 16332AA01 | 1733021404 | 59,5 | 43,5 | 4 |
| 16333AA01 | 1733021405 | 69,1 | 43,5 | 5 |
| 16334AA01 | 1733021406 | 86,5 | 68,0 | 6 |
| 16335AA01 | 1733021407 | 102,5 | 84,0 | 7 |
| 16336AA01 | 1733021408 | 121,0 | 102,5 | 8 |
| 16337AA01 | 1733021409 | 139,5 | 121,0 | 9 |
| 16338AA01 | 1733021410 | 180,0 | 157,0 | 12 |



Flammability: UL94-V0, self-extinguishing
 Temperature: -40°C ... +140°C
 Properties: halogen-free, silicone-free



| | |
|--|---|
| TITLE STRAIN RELIEF MODULES FOR SCREW FIXING | |
| MATERIAL PA 66 | DATE 04/10/2019 |
| COLOR BLACK | DRAWN R.F. |
| PART NUMBER SEE TABLE | CHECK |
| DRAWING NUMBER 19.10.04.1632X.0.E | APPROVED |
| SIZE A4 | UNLESS OTHERWISE SPECIFIED TOLERANCE SEE ABOVE |
| SCALE 1:1 | UNIT mm. |
| REV A | |