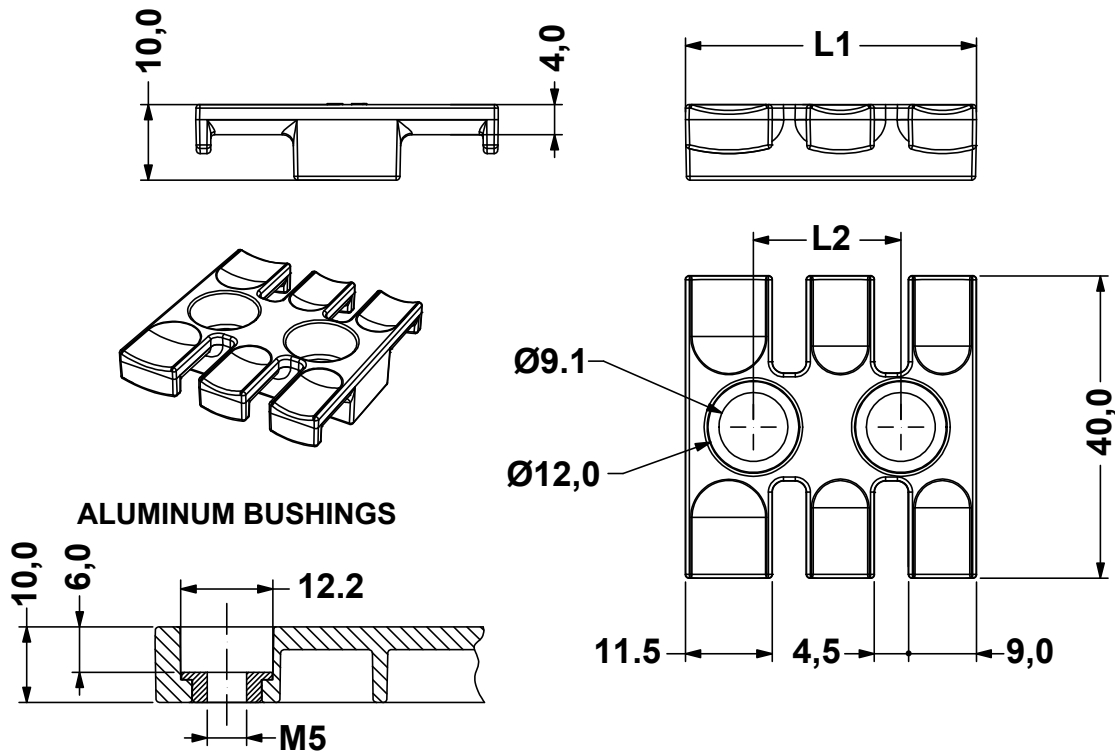
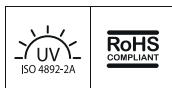


REVISIONS			
REV	DESCRIPTION	DATE	BY



ALUMINUM BUSHINGS

P/N	P/N SUPPLIER	L1	L2	Teeth
16339AA01	1733021503	38,5	19,5	3
16340AA01	1733021504	59,5	43,5	4
16341AA01	1733021505	69,1	43,5	5
16342AA01	1733021506	86,5	68,0	6
16343AA01	1733021507	102,5	84,0	7
16344AA01	1733021508	121,0	102,5	8
16345AA01	1733021509	139,5	121,0	9
16346AA01	1733021510	180,0	157,0	12



Flammability: UL94-V0, self-extinguishing
 Temperature: -40°C ... +140°C
 Properties: halogen-free, silicone-free



PART NUMBER SEE TABLE		DRAWING NUMBER 19.10.04.1632X.0.E		TITLE STRAIN RELIEF MODULES FOR SCREW FIXING	
MATERIAL PA 66		DATE 04/10/2019		DRAWN R.F.	
COLOR BLACK		CHECK		APPROVED	
SIZE A4	SCALE 1:1	UNIT mm.	REV A	UNLESS OTHERWISE SPECIFIED TOLERANCE SEE ABOVE	