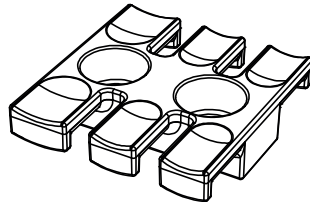
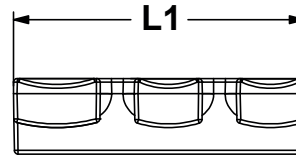
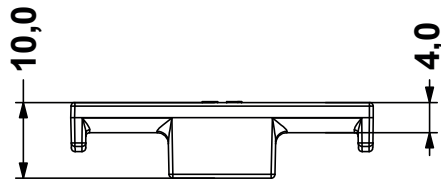
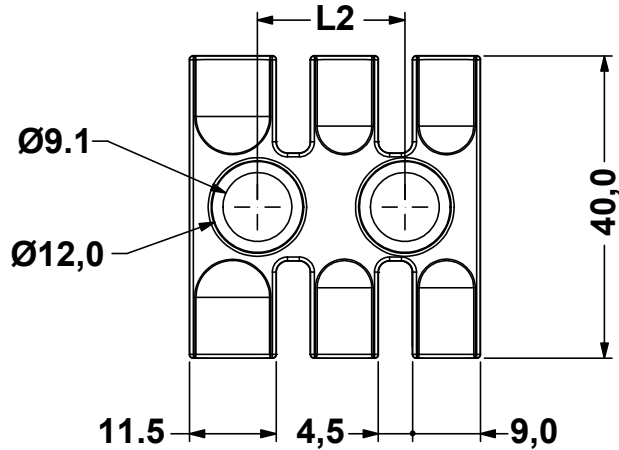
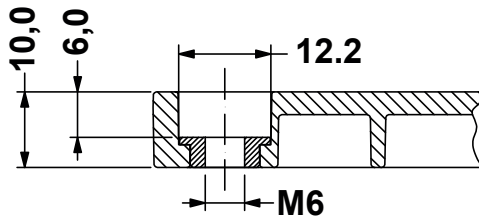


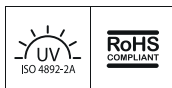
REVISIONS			
REV	DESCRIPTION	DATE	BY



ALUMINUM BUSHINGS



P/N	P/N SUPPLIER	L1	L2	Teeth
16347AA01	1733021603	38,5	19,5	3
16348AA01	1733021604	59,5	43,5	4
16349AA01	1733021605	69,1	43,5	5
16350AA01	1733021606	86,5	68,0	6
16351AA01	1733021607	102,5	84,0	7
16352AA01	1733021608	121,0	102,5	8
16353AA01	1733021609	139,5	121,0	9
16354AA01	1733021610	180,0	157,0	12



Flammability: UL94-V0, self-extinguishing  
 Temperature: -40°C ... +140°C  
 Properties: halogen-free, silicone-free



TITLE <b>STRAIN RELIEF MODULES FOR SCREW FIXING</b>	
MATERIAL PA 66	DATE 04/10/2019
COLOR BLACK	DRAWN R.F.
PART NUMBER SEE TABLE	CHECK
DRAWING NUMBER 19.10.04.163XX.0.E	APPROVED
SIZE A4	UNLESS OTHERWISE SPECIFIED TOLERANCE SEE ABOVE
SCALE 1:1	
UNIT mm.	
REV A	