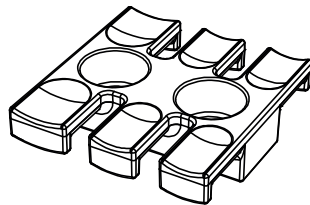
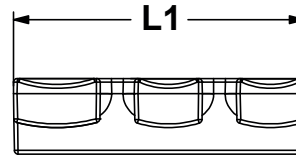
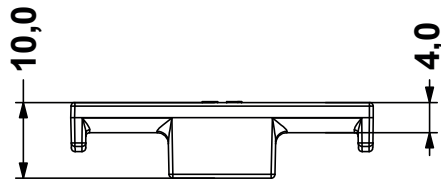
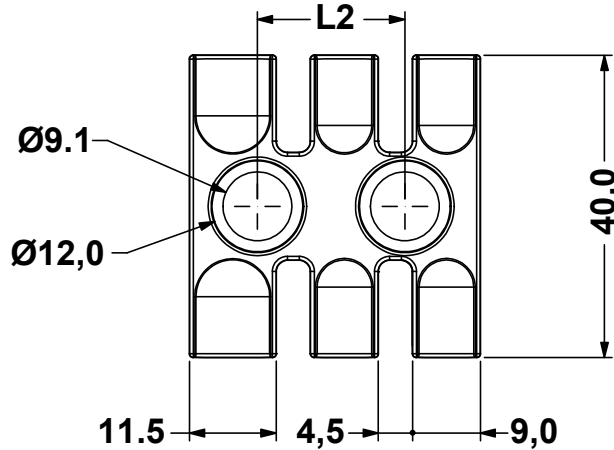
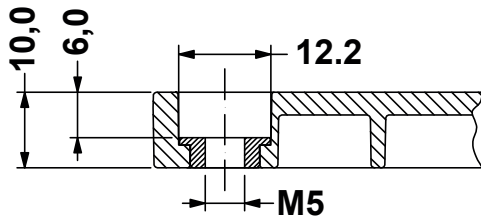


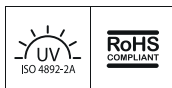
REVISIONS			
REV	DESCRIPTION	DATE	BY



BRASS BUSHINGS



P/N	P/N SUPPLIER	L1	L2	Teeth
16363AA01	1733022503	38,5	19,5	3
16364AA01	1733022504	59,5	43,5	4
16365AA01	1733022505	69,1	43,5	5
16366AA01	1733022506	86,5	68,0	6
16367AA01	1733022507	102,5	84,0	7
16368AA01	1733022508	121,0	102,5	8
16369AA01	1733022509	139,5	121,0	9
16370AA01	1733022510	180,0	157,0	12



Flammability: UL94-V0, self-extinguishing
 Temperature: -40°C ... +140°C
 Properties: halogen-free, silicone-free



TITLE STRAIN RELIEF MODULES FOR SCREW FIXING	
MATERIAL PA 66	DATE 04/10/2019
COLOR BLACK	DRAWN R.F.
PART NUMBER SEE TABLE	CHECK
DRAWING NUMBER 19.10.04.163XX.0.E	APPROVED
SIZE A4	UNLESS OTHERWISE SPECIFIED TOLERANCE SEE ABOVE
SCALE 1:1	
UNIT mm.	
REV A	