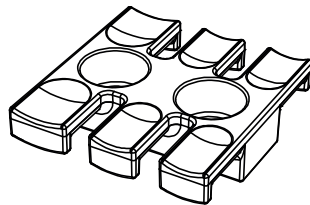
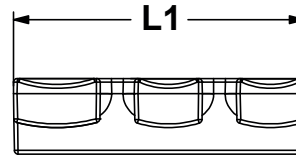
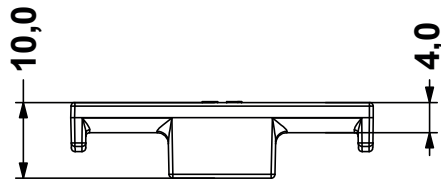
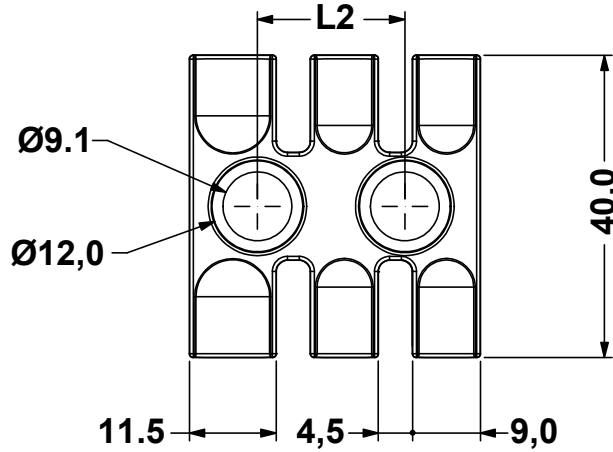
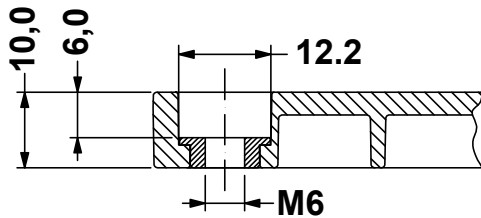


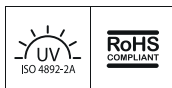
REVISIONS			
REV	DESCRIPTION	DATE	BY



BRASS BUSHINGS



P/N	P/N SUPPLIER	L1	L2	Teeth
16371AA01	1733022603	38,5	19,5	3
16372AA01	1733022604	59,5	43,5	4
16373AA01	1733022605	69,1	43,5	5
16374AA01	1733022606	86,5	68,0	6
16375AA01	1733022607	102,5	84,0	7
16376AA01	1733022608	121,0	102,5	8
16377AA01	1733022609	139,5	121,0	9
16378AA01	1733022610	180,0	157,0	12



Flammability: UL94-V0, self-extinguishing
 Temperature: -40°C ... +140°C
 Properties: halogen-free, silicone-free



PART NUMBER SEE TABLE		DRAWING NUMBER 19.10.04.1637X.0.E		TITLE STRAIN RELIEF MODULES FOR SCREW FIXING	
MATERIAL PA 66		DATE 04/10/2019			
COLOR BLACK		DRAWN R.F.			
UNLESS OTHERWISE SPECIFIED TOLERANCE SEE ABOVE		CHECK 			
SIZE A4	SCALE 1:1	UNIT mm.	REV A	APPROVED 	