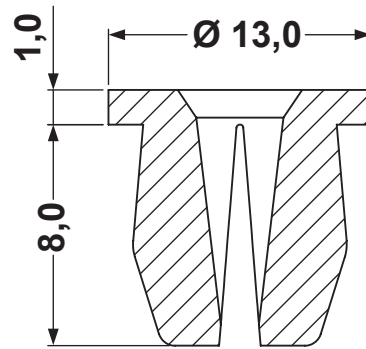
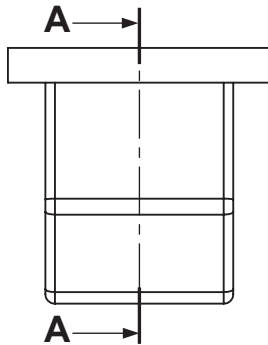
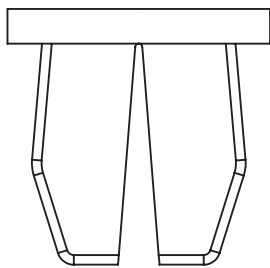


DIM.	TOL.
5mm DOWN	±0.2
5~20mm	±0.3
20~40mm	±0.4
40~60mm	±0.5
60 100mm	±0.8
100mm UP	±1.0


REVISIONS			
REV	DESCRIPTION	DATE	BY



SECTION A-A

NOTES:
 PANEL HOLE: 7,0 X 7,0
 THICKNESS: 0,8 - 3,0
 SCREW: 8 - 10 P



				TITLE SCREW GROMMETS	
				MATERIAL PA66 V2 (UL94)	DATE 02/10/2017
				COLOR NATURAL	DRAWN R.F.
PART NUMBER 0116AA00		DRAWING NUMBER 17.10.02.0116.0.E		CHECK	
SIZE A4	SCALE NTS	UNIT mm	REV A	UNLESS OTHERWISE SPECIFIED TOLERANCE SEE TABLE	APPROVED