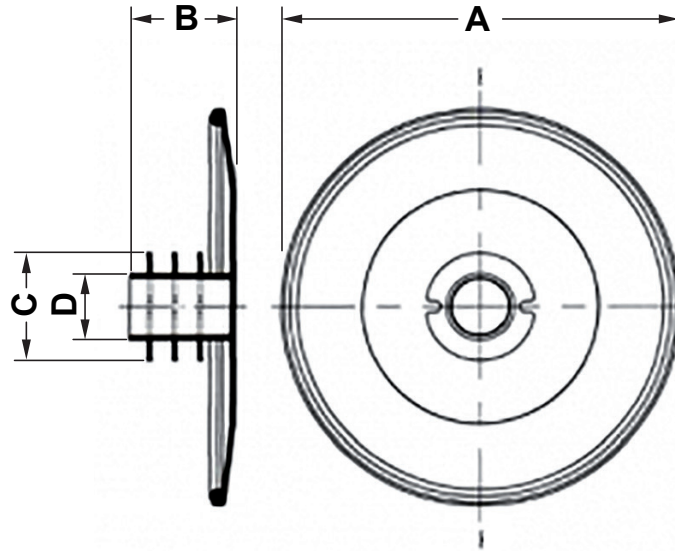



DIM.	TOL.
5mm DOWN	±0.2
5~20mm	±0.3
20~40mm	±0.4
40~60mm	±0.5
60~100mm	±0.8
100mm UP	±1.0

REVISIONS			
REV	DESCRIPTION	DATE	BY



P/N	DN	NOMINAL DIAMETER	D	C	A	B
14120EA06	DN 10	3/8"	6,8	14,2	86,0	21,0
14121EA06	DN 15	1/2"	8,5	19,0	90,0	21,0
14122EA06	DN 20	3/4"	13,0	24,0	100,0	21,0
14123EA06	DN 25	1"	18,0	30,0	110,0	25,0
14124EA06	DN 32	1.1/4"	23,0	39,0	136,0	32,0
14125EA06	DN 40	1.1/2"	30,0	45,5	146,0	32,0
14126EA06	DN 50	2"	40,0	56,5	160,0	32,0
14127EA06	DN 65	2.1/2"	53,0	72,5	180,0	36,0
14128EA06	DN 80	3"	66,0	85,5	196,0	36,0
14129EA06	DN 100	4"	86,0	110,0	216,0	46,0
14130EA06	DN 125	5"	110,0	134,0	246,0	46,0
14131EA06	DN 150	6"	139,0	163,0	280,0	50,0
14132EA06	DN 200	8"	186,0	210,0	336,0	52,0
14133EA06	DN 250	10"	237,0	263,0	403,0	52,0
14134EA06	DN 300	12"	284,0	319,0	450,0	57,0
14135EA06	DN 350	14"	295,0	340,0	465,0	47,0
14136EA06	DN 400	16"	382,0	410,0	540,0	47,0
14137EA06	DN 450	18"	382,0	445,0	540,0	47,0

		TITLE FULL-FACE FLANGE PROTECTORS	
		MATERIAL PE-LD	DATE 06/03/2020
PART NUMBER SEE TABLE		DRAWING NUMBER 20.03.06.141XX.0.E	
DRAWN R.F.		COLOR YELLOW	CHECK
SIZE A4	SCALE NTS	UNIT mm.	REV A
UNLESS OTHERWISE SPECIFIED TOLERANCE SEE ABOVE		APPROVED	