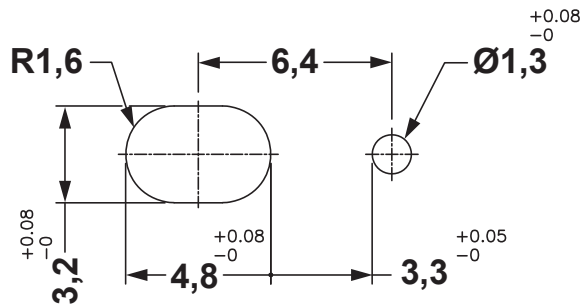
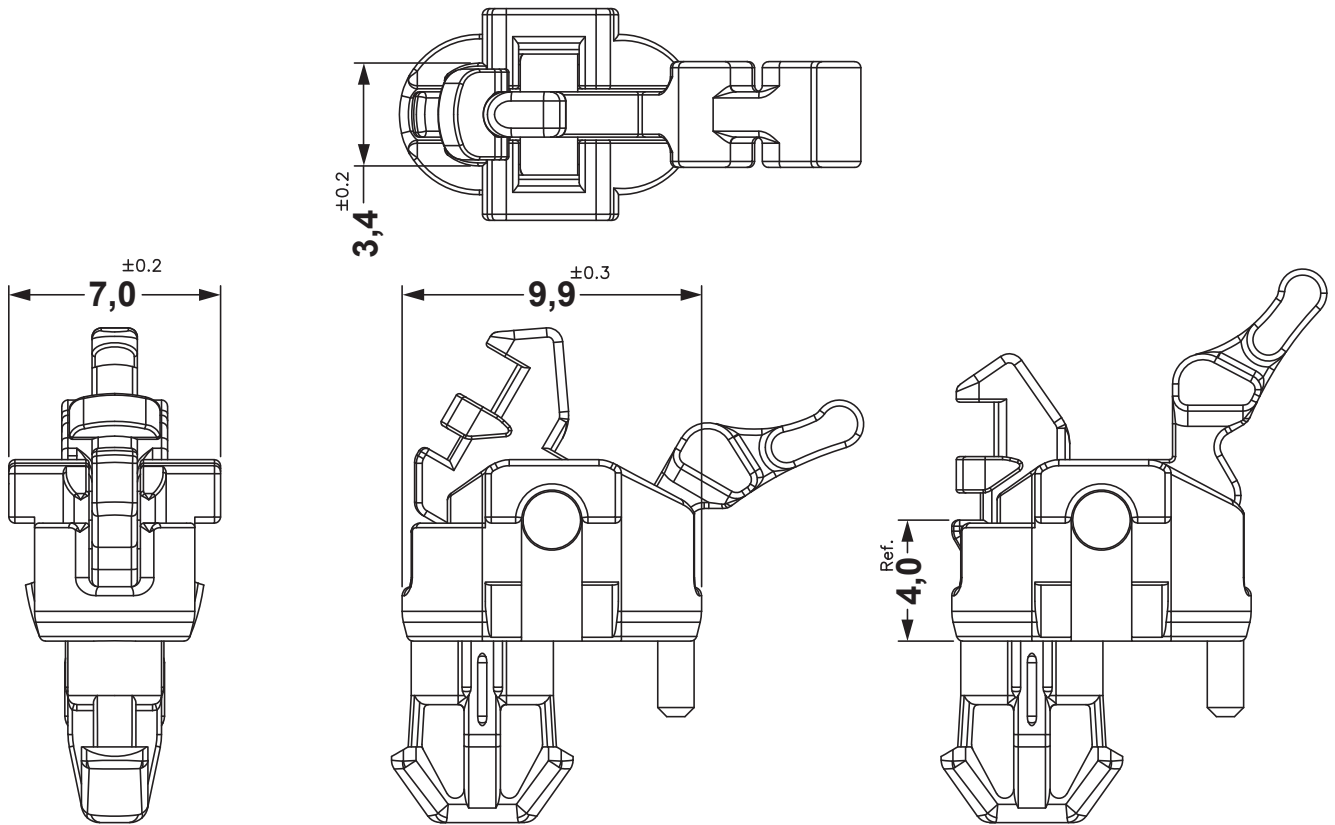



REVISIONS			
REV	DESCRIPTION	DATE	BY



**RECOMMEND MOUNTING HOLE**  
**RECOMMEND THICKNESS: 3,1**

		TITLE <b>SPACER SUPPORT</b>	
		BODY MATERIAL PA66 V2(UL94)	DATE 22/04/2020
PART NUMBER 14446AA01		LATCH MATERIAL PA66 + GF V0(UL94)	DRAWN R.F.
SIZE A4	SCALE 4:1	COLOR BLACK	CHECK
UNIT mm.	REV A	UNLESS OTHERWISE SPECIFIED TOLERANCE SEE ABOVE	APPROVED
DRAWING NUMBER 20.04.22.14446.0.E			