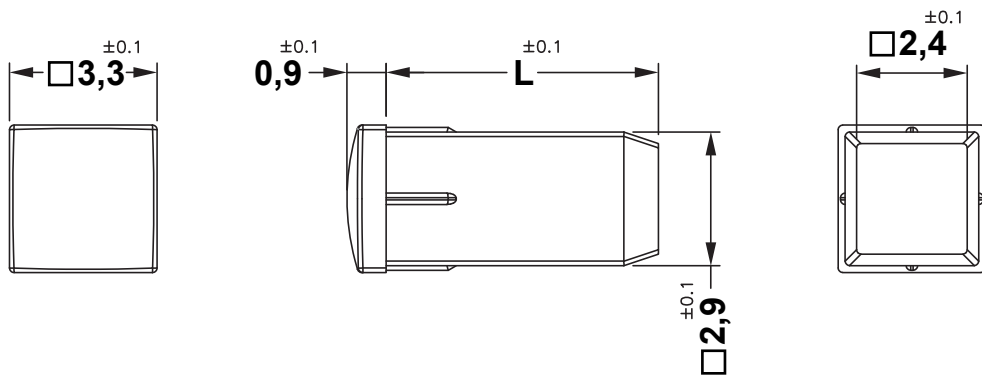
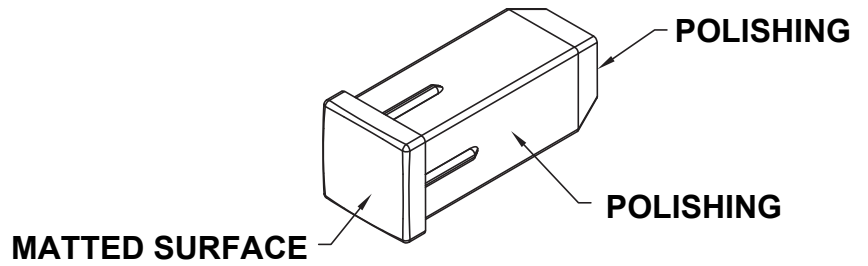
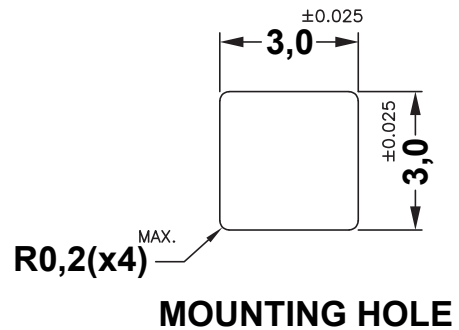



REVISIONS			
REV	DESCRIPTION	DATE	BY



P/N	L
14507NV00	3,0
14508NV00	5,0
14509NV00	6,0
14510NV00	7,0



				TITLE LED LIGHT PIPE	
				MATERIAL PC V0(UL94)	DATE 29/04/2020
PART NUMBER SEE TABLE				DRAWN R.F.	
				DRAWING NUMBER 20.04.29.145XX.0.E	
COLOR CLEAR				CHECK	
SIZE A4	SCALE 6:1	UNIT mm.	REV A	UNLESS OTHERWISE SPECIFIED TOLERANCE SEE ABOVE	
				APPROVED	