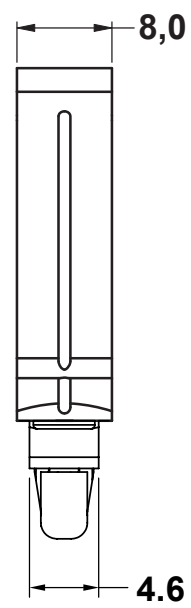
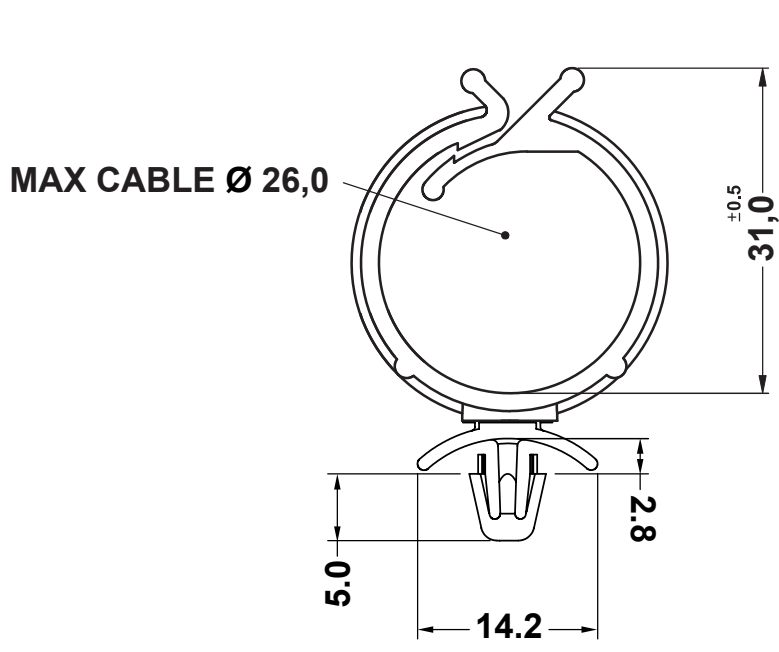



REVISIONS			
REV	DESCRIPTION	DATE	BY



PANEL THICKNESS 0,8 - 2,0
HOLE 4,8 +/-0,08

WORKING TEMPERATURE: -30°C to 85°C

				TITLE CABLE HOLDER	
				MATERIAL PA66 V2(UL94) Stanyl TW341	DATE 26/06/2020
PART NUMBER 11189AA00				DRAWN R.F.	
DRAWING NUMBER 20.06.26.11189.0.E				CHECK	
COLOR NATURAL				APPROVED	
SIZE A4	SCALE NTS	UNIT mm.	REV A	UNLESS OTHERWISE SPECIFIED TOLERANCE DIN ISO 2768 m	