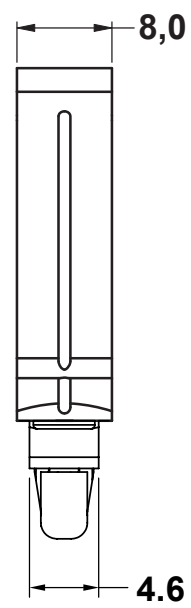
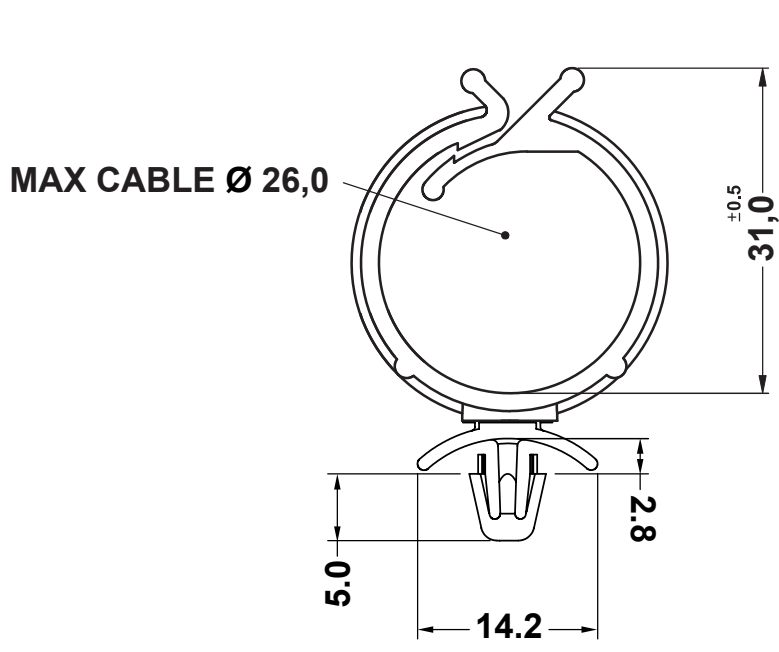


| REVISIONS |             |      |    |
|-----------|-------------|------|----|
| REV       | DESCRIPTION | DATE | BY |
|           |             |      |    |
|           |             |      |    |



**PANEL THICKNESS 0,8 - 2,0**  
**HOLE 4,8 +/-0,08**

**WORKING TEMPERATURE: -30°C to 150°C**

|  |              |             |          |  |  |
|--|--------------|-------------|----------|--|--|
|  |              |             |          | TITLE<br><b>CABLE HOLDER</b>           |  |
|  |              |             |          | MATERIAL<br>PA66 V2(UL94) Stanyl TW341 |  |
| PART NUMBER<br>11189AM04                               |              |             |          | DRAWING NUMBER<br>20.06.26.11189.0.E   |  |
| COLOR<br>RED   |              |             |          | CHECK                                  |  |
| UNLESS OTHERWISE SPECIFIED<br>TOLERANCE DIN ISO 2768 m |              |             |          | APPROVED                               |  |
| SIZE<br>A4   | SCALE<br>NTS | UNIT<br>mm. | REV<br>A |  |  |