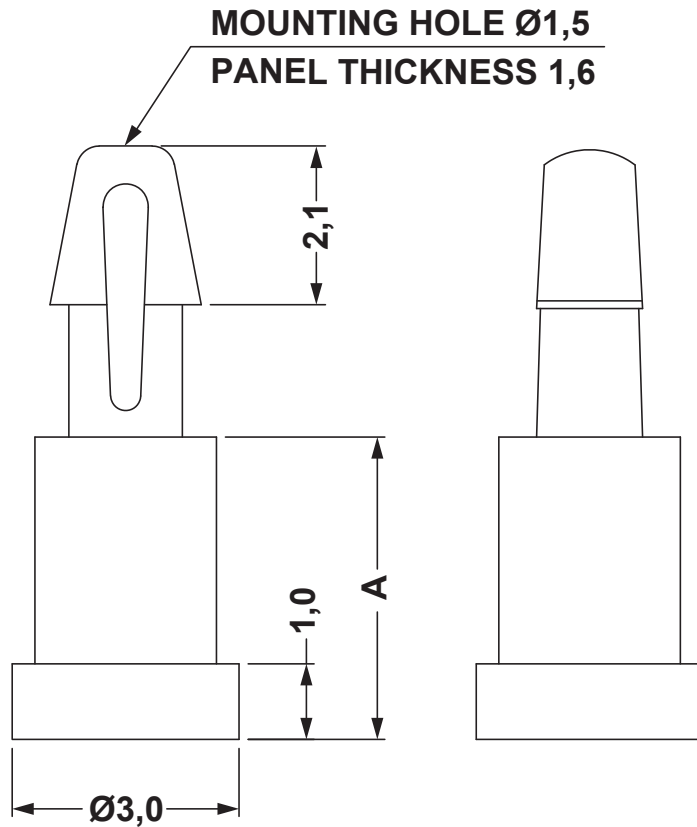


DIM.	TOL.
5mm DOWN	±0.2
5~20mm	±0.3
20~40mm	±0.4
40~60mm	±0.5
60~100mm	±0.8
100mm UP	±1.0

REVISIONS			
REV	DESCRIPTION	DATE	BY



P/N	A
14451AA00	2.0
14452AA00	2.5
14453AA00	3.0
14454AA00	3,5
14455AA00	4.0
14456AA00	5.0
14457AA00	6.0
14458AA00	6.5

				TITLE <b>SPACER SUPPORT</b>	
				MATERIAL PA66 V2(UL94)	DATE 22/04/2020
PART NUMBER SEE TABLE				DRAWN R.F.	
				DRAWING NUMBER 20.04.22.1445.0.E	
SIZE A4				COLOR NATURAL	
				CHECK	
SCALE NTS		UNIT mm.		REV A	
UNLESS OTHERWISE SPECIFIED TOLERANCE SEE ABOVE				APPROVED	