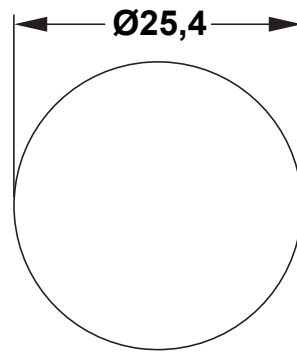
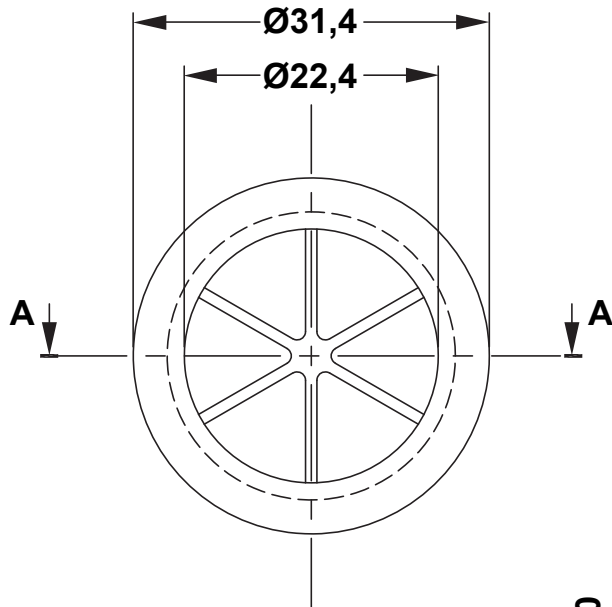
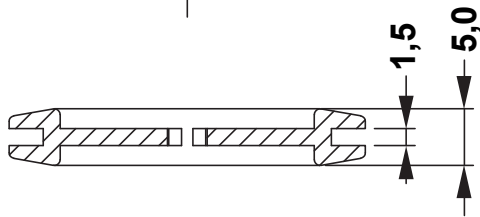



REVISIONS			
REV	DESCRIPTION	DATE	BY



**MOUNTING HOLE**



**SECTION A-A**

				TITLE <b>RUBBER PLUGS</b>	
				MATERIAL RUBBER (NR)	DATE 11/05/2020
PART NUMBER <b>14879PD01</b>				HARDNESS	DRAWN R.F.
				DRAWING NUMBER 20.05.11.14879.0.E	
SIZE A4	SCALE 3:2	UNIT mm.	REV A	UNLESS OTHERWISE SPECIFIED TOLERANCE ±0.4	APPROVED