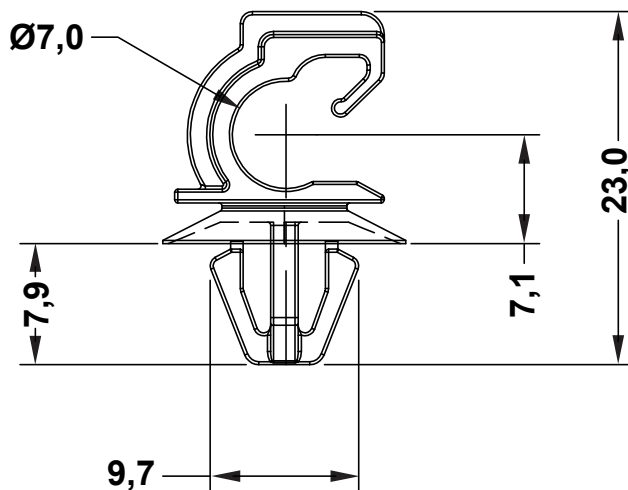
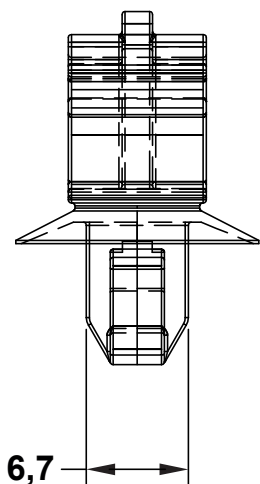
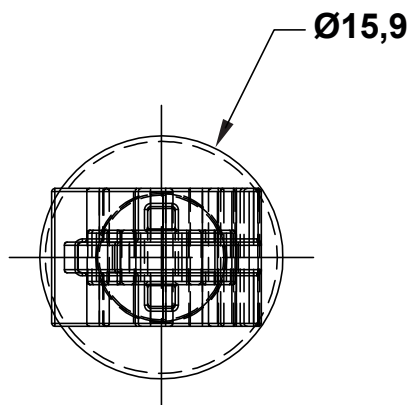
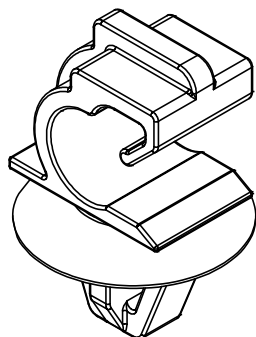


Dimensions	Tolerance
5mm DOWN	±0.2
5~20mm	±0.3
20~40mm	±0.4
40~60mm	±0.5
60~100mm	±0.8
100mm UP	±1.0

REVISIONS			
REV	DESCRIPTION	DATE	BY



MOUNTING HOLE: Ø7,5 - 7,7
PANEL THICKNESS: 1,0 - 1,2



TITLE WIRE CLIPS LATERAL OPENING		MATERIAL PA 6 V2(UL94)		DATE 01/06/2020	
		COLOR BLACK		DRAWN R.F.	
PART NUMBER 14984AA01		DRAWING NUMBER 20.06.01.14984.0.E		CHECK (blank)	
SIZE A4	SCALE 2:1	UNIT mm.	REV A	UNLESS OTHERWISE SPECIFIED TOLERANCE SEE ABOVE	
				APPROVED (blank)	