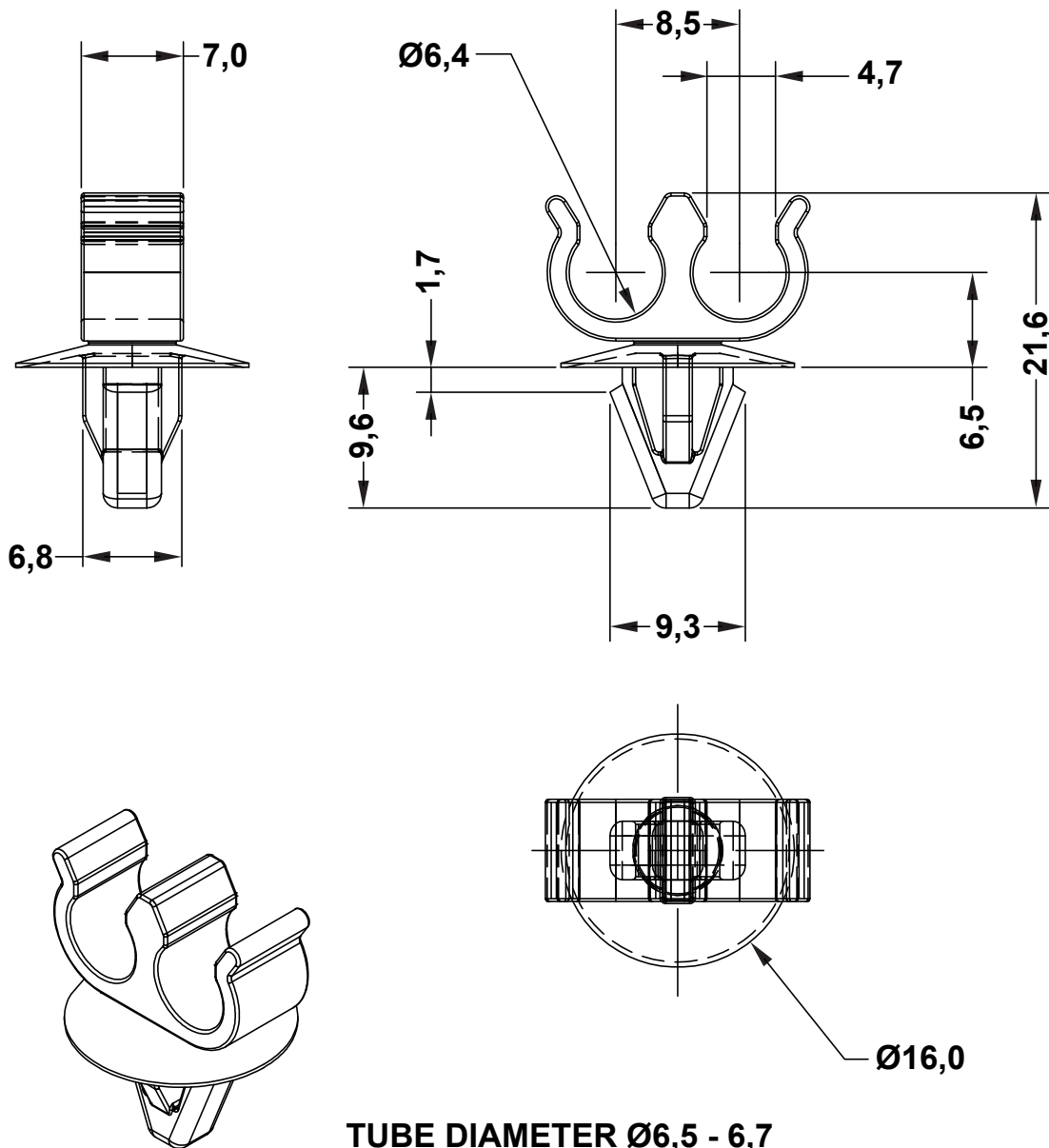



Dimensions	Tolerance
5mm DOWN	±0.2
5~20mm	±0.3
20~40mm	±0.4
40~60mm	±0.5
60~100mm	±0.8
100mm UP	±1.0

REVISIONS			
REV	DESCRIPTION	DATE	BY



TUBE DIAMETER Ø6,5 - 6,7
MOUNTING HOLE Ø 7,7 - 8,0
PANEL THICKNESS: 1,0 - 1,5

		TITLE WIRE & PIPE CLIPS TOP OPENING	
		MATERIAL PA 66 V2(UL94)	DATE 28/05/2020
PART NUMBER 14986AA01		DRAWING NUMBER 20.05.28.14986.0.E	
DRAWN R.F.		CHECK	
SIZE A4	SCALE 2:1	COLOR BLACK	UNLESS OTHERWISE SPECIFIED TOLERANCE SEE ABOVE
UNIT mm.	REV A	APPROVED	