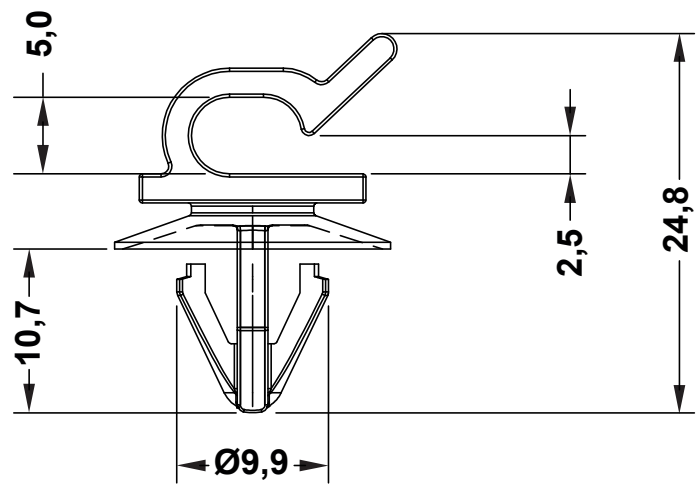
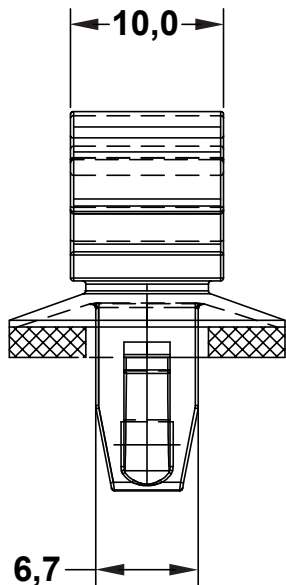
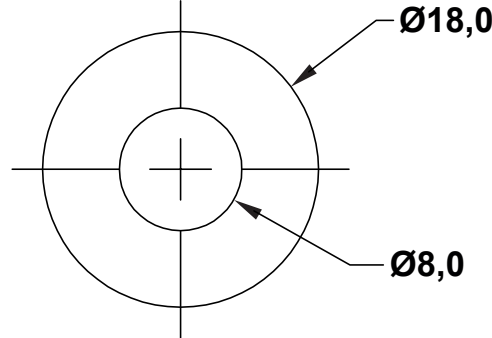
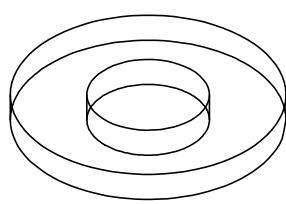
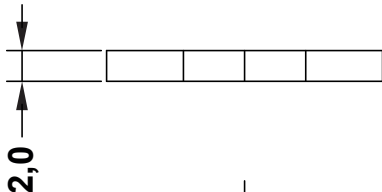
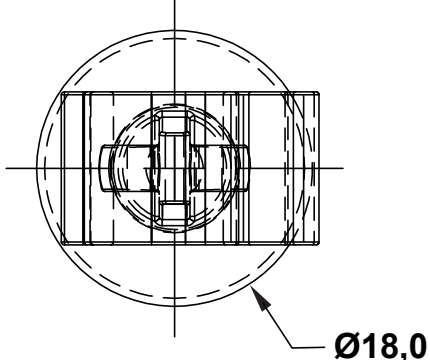
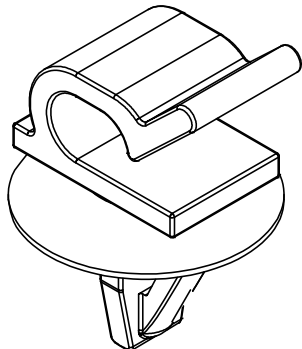



Dimensions	Tolerance
5mm DOWN	±0.2
5~20mm	±0.3
20~40mm	±0.4
40~60mm	±0.5
60~100mm	±0.8
100mm UP	±1.0

REVISIONS			
REV	DESCRIPTION	DATE	BY



**MOUNTING HOLE Ø7,5 - 8,0**  
**PANEL THICKNESS 0,8 - 1,5**



				TITLE <b>WIRE CLIPS LATERAL OPENING</b>	
				MATERIAL PA 66 V2(UL94)	DATE 01/06/2020
PART NUMBER 14993AA01				DRAWN R.F.	
DRAWING NUMBER 20.06.01.14993.0.E				CHECK	
COLOR BLACK				APPROVED	
SIZE A4	SCALE 2:1	UNIT mm.	REV A	UNLESS OTHERWISE SPECIFIED TOLERANCE SEE ABOVE	