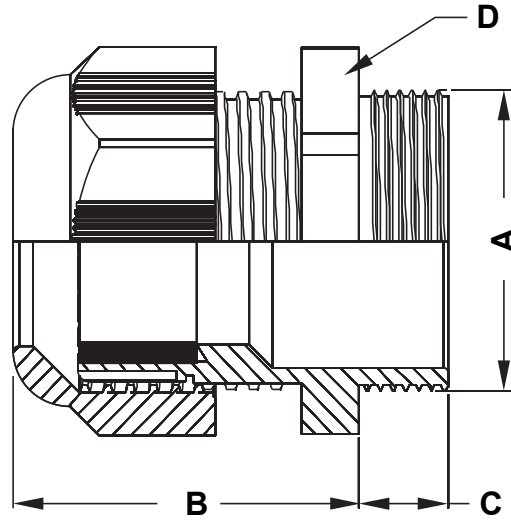




REVISIONS			
REV	DESCRIPTION	DATE	BY



P/N RAL 9005	P/N RAL 5012	A	B	C	D	Ø Cable
15066AA019005	15079AA085015	PG-7	24,0	8,0	15,0	3,0 - 6,5
15067AA019005	15080AA085015	PG-9	28,0	8,0	19,0	4,0 - 8,0
15068AA019005	15081AA085015	PG-11	29,0	8,0	22,0	5,0 - 10,0
15069AA019005	15082AA085015	PG-13.5	29,0	9,0	24,0	4,0 - 10,0
15070AA019005	15083AA085015	PG-13.5	29,0	9,0	24,0	6,0 - 12,0
15071AA019005	15084AA085015	PG-16	33,0	9,0	27,0	10,0 - 14,0
15072AA019005	15085AA085015	PG-21	38,0	11,0	33,0	13,0 - 18,0
15073AA019005	15086AA085015	PG-21	38,0	11,0	33,0	9,0 - 17,0
15074AA019005	15087AA085015	PG-29	41,0	11,0	42,0	18,0 - 25,0
15075AA019005	15088AA085015	PG-36	51,0	11,0	53,0	22,0 - 32,0
15076AA019005	15089AA085015	PG-42	53,0	11,0	60,0	30,0 - 38,0
15077AA019005	15090AA085015	PG-48	55,0	14,0	65,0	34,0 - 44,0

Gland body : Polyamide PA6
 Connection thread : PG (DIN 40430)
 Colour : Black (RAL 9005) - Blue (RAL 5015)

Standarts : EN 60079-0, 60079-7, 60079-31
 Protection class : IP68 5 Bar
 Temperature range : -30 °C +100 °C

		TITLE PG THREAD CABLE GLANDS IP68	
		MATERIAL SEE ABOVE	DATE 29/06/2020
PART NUMBER SEE TABLE		DRAWN R.F.	
DRAWING NUMBER 20.06.29.150XX.0.E		CHECK	
SIZE A4	SCALE NTS	COLOR SEE ABOVE	APPROVED
UNIT mm.	REV A	UNLESS OTHERWISE SPECIFIED TOLERANCE	