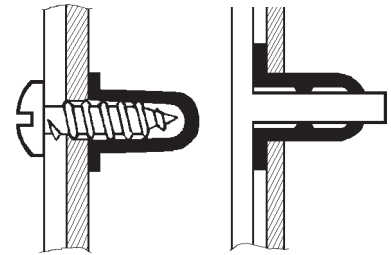
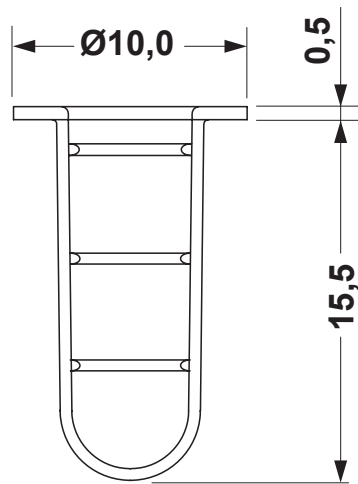


DIM.	TOL.
5mm DOWN	±0.2
5~20mm	±0.3
20~40mm	±0.4
40~60mm	±0.5
60~100mm	±0.8
100mm UP	±1.0


REVISIONS			
REV	DESCRIPTION	DATE	BY



**ASSEMBLY**



**MOUNTING HOLE Ø6,5  
THICKNESS 0,5 min.**

				TITLE <b>BUSHINGS</b>	
				MATERIAL PE-LD	DATE 28/07/2021
PART NUMBER <b>0184EA00</b>				DRAWN R.F.	
				CHECK	
DRAWING NUMBER 21.07.28.0184.0.E		COLOR NATURAL		APPROVED	
SIZE A4	SCALE NTS	UNIT mm.	REV A	UNLESS OTHERWISE SPECIFIED TOLERANCE SEE ABOVE	