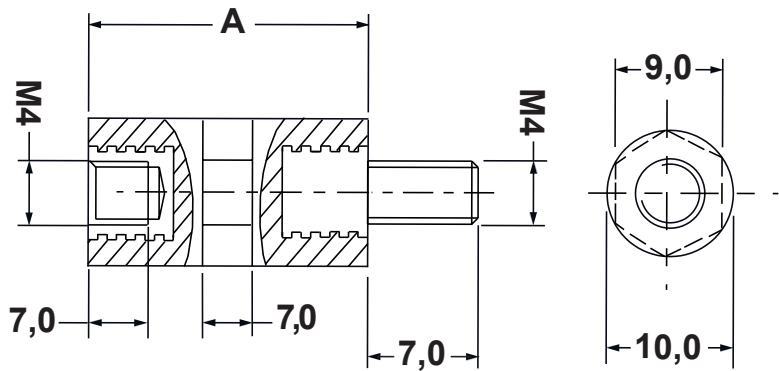



DIM.	TOL.
5mm DOWN	±0.2
5~20mm	±0.3
20~40mm	±0.4
40~60mm	±0.5
60~100mm	±0.8
100mm UP	±1.0

REVISIONS			
REV	DESCRIPTION	DATE	BY



P/N	A
10484DA1115.0	15.0
10484DA1120.0	20.0
10484DA1125.0	25.0
10484DA1130.0	30.0
10484DA1140.0	40.0
10484DA1145.0	45.0
10484DA1150.0	50.0

**NOTES:**  
**MATERIAL: POLYSTYROL**  
**THREAD INSERT: STEEL ZINC PLATED**  
**COLOUR: GREY**  
**UL FLAMMABILITY: HB (UL 94)**  
**WORKING TEMPERATURE: -15°C ~ + 90°C**  
**DIELECTRIC STRENGTH: 50KV**

				<b>TITLE</b> <b>INSULATOR SPACER M/F M3 POLYSTIROL/STEEL</b>	
				<b>MATERIAL</b> SEE ABOVE	
<b>PART NUMBER</b> SEE TABLE				<b>DRAWING NUMBER</b> 21.07.30.10484.0.E	
				<b>COLOR</b> SEE ABOVE	
<b>SIZE</b> A4		<b>SCALE</b> NTS		<b>UNLESS OTHERWISE SPECIFIED TOLERANCE</b> SEE ABOVE	
<b>UNIT</b> mm.		<b>REV</b> A		<b>APPROVED</b>	