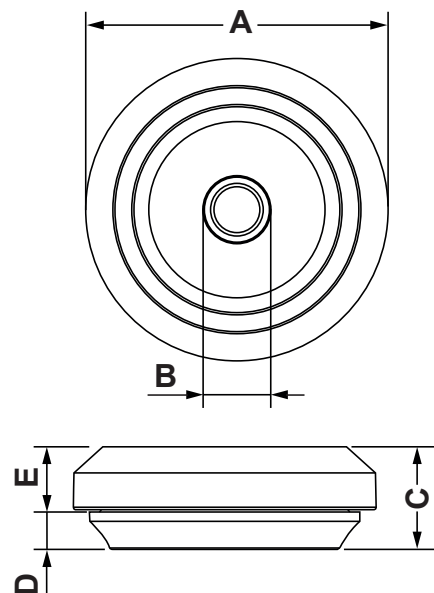


DIM.	TOL.
5mm DOWN	±0.2
5~20mm	±0.3
20~40mm	±0.4
40~60mm	±0.5
60~100mm	±0.8
100mm UP	±1.0

REVISIONS			
REV	DESCRIPTION	DATE	BY



NOTES:

Material: TPE

Available in TPE V0 (UL94) by special request

Colour: see table

Working temperature: -50°C ~+125°C

SEMKO conformity

Protection grade: IP67

P/N RAL 9010	P/N RAL 9005	P/N RAL 7035	Size	Ø Cable	Hole	Thickness	A	B	C	D	E
9040PF029010	9040PF019005	9040PF117035	M16	5,0 - 10,0	16,5	0,5 - 3,0	23,5	4,0	11,0	4,0	6,7
9041PF029010	9041PF019005	9041PF117035	M20	6,0 - 13,0	20,5	0,5 - 3,0	27,5	5,0	11,0	4,0	6,7
9042PF029010	9042PF019005	9042PF117035	M25	8,0 - 17,0	25,5	0,5 - 3,5	32,5	7,0	11,0	4,0	6,7
9043PF029010	9043PF019005	9043PF117035	M32	12,0 - 24,0	32,5	0,5 - 4,5	39,5	11,0	11,0	4,0	6,7
9044PF029010	9044PF019005	9044PF117035	M40	19,0 - 30,0	40,5	1,5 - 4,5	47,5	18,0	13,5	4,8	7,4

REV.	DESCRIPTION	DATE	TITLE: SNAP-FIT IP67 METRIC GROMMETS	DWG UNIT: MM
	MATERIAL: SEE ABOVE		<i>Modelled in RHINO 4.0</i> FILE:	DwN: 19/10/21
	COLOUR: SEE TABLE		TOLLERANCES UNLESS NOTED	ChkD:
			SEE ABOVE	DT: 21.10.19.904X.0.E. Part Number: SEE TABLE
			SHEET: 1 OF 1	
			SCALE: NTS	

