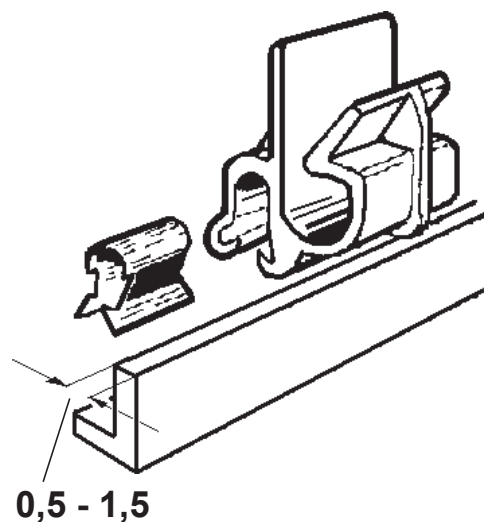
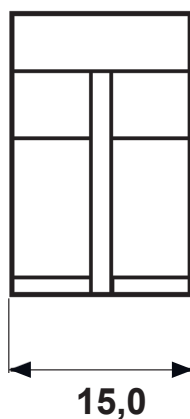
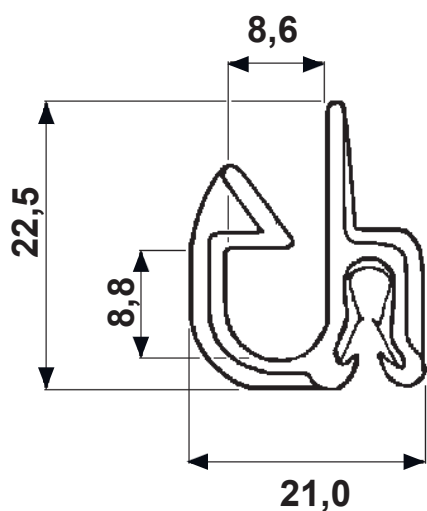


DIM.	TOL.
5mm DOWN	±0.2
5~20mm	±0.3
20~40mm	±0.4
40~60mm	±0.5
60~100mm	±0.8
100mm UP	±1.0


REVISIONS			
REV	DESCRIPTION	DATE	BY



**NOTES:**

**CLIP MATERIAL: SPRING STEEL**  
**WORKING TEMP. -35°C +85°C MAX.**

These products are suitable for mounting on the edge of supports of various types, by means of a steel grip fitted with retaining teeth. This conformation avoids perforations, ensuring good fastening strength. The plastic body guarantees excellent electrical insulation.

				TITLE <b>WIRE CLIPS WITH A STEEL GRIP</b>	
				MATERIAL PA 6.6 V2 (UL 94)	DATE 03/12/2021
PART NUMBER 5486AA01				DRAWN A.C.	
				DRAWING NUMBER 21.12.03.5486.0.E	
PART NUMBER 5486AA01				COLOR BLACK	
				CHECK	
SIZE A4	SCALE NTS	UNIT mm.	REV	UNLESS OTHERWISE SPECIFIED TOLERANCE SEE ABOVE	
				APPROVED	