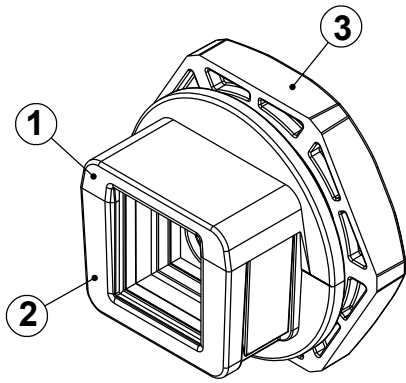
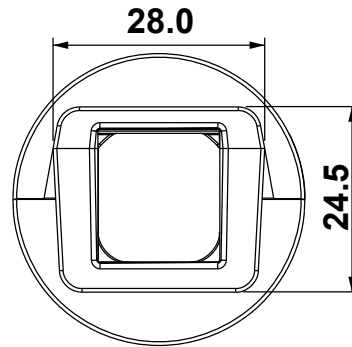
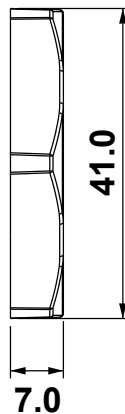
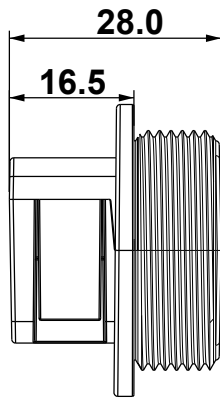
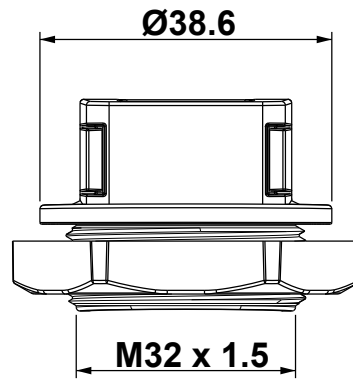


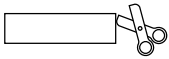
DIM.	TOL.
5mm DOWN	±0.2
5~20mm	±0.3
20~40mm	±0.4
40~60mm	±0.5
60~100mm	±0.8
100mm UP	±1.0



REVISIONS			
REV	DESCRIPTION	DATE	BY



Reccomended cut-out::  
Ø32.5mm



	<b>IP54</b>	<b>NEMA 12</b>	<b>UL TYPE 12</b>					<b>IK10</b>
--	-------------	----------------	-------------------	--	--	--	--	-------------

Temperature: -40°C ... +130°C  
Properties: halogen-free, silicone-free

Part Number	Color
<b>15942FG01</b>	BLACK
<b>15942FG11</b>	GREY

Compatible with:

Id	Description	Material	Q.ty
1	Top	PC	1
2	Bottom	PC	1
3	Locknut	PA	1
4	Gasket (not shown)	NBR	1

	Single	Double	Quadruple
From	15913PSxx	15927PSxx	15933PSxx
To	15926PSxx	15932PSxx	15938PSxx

		TITLE		<b>SPLITTABLE CABLE GLANDS OSF</b>	
		MATERIAL		SEE TABLE	
PART NUMBER		DRAWING NUMBER		DATE	
SEE TABLE		22.01.31.15942.0.E		31/01/2022	
SIZE		SCALE		DRAWN	
A4		1:1		A.C.	
UNIT		REV		CHECK	
mm.		A			
TOLERANCE		UNLESS OTHERWISE SPECIFIED		APPROVED	
SEE ABOVE		SEE ABOVE			